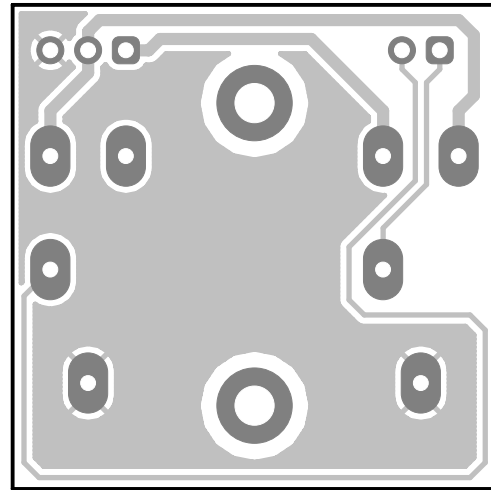
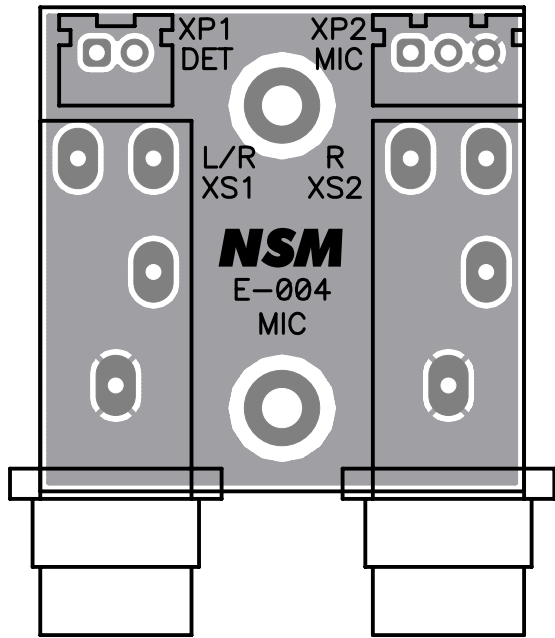
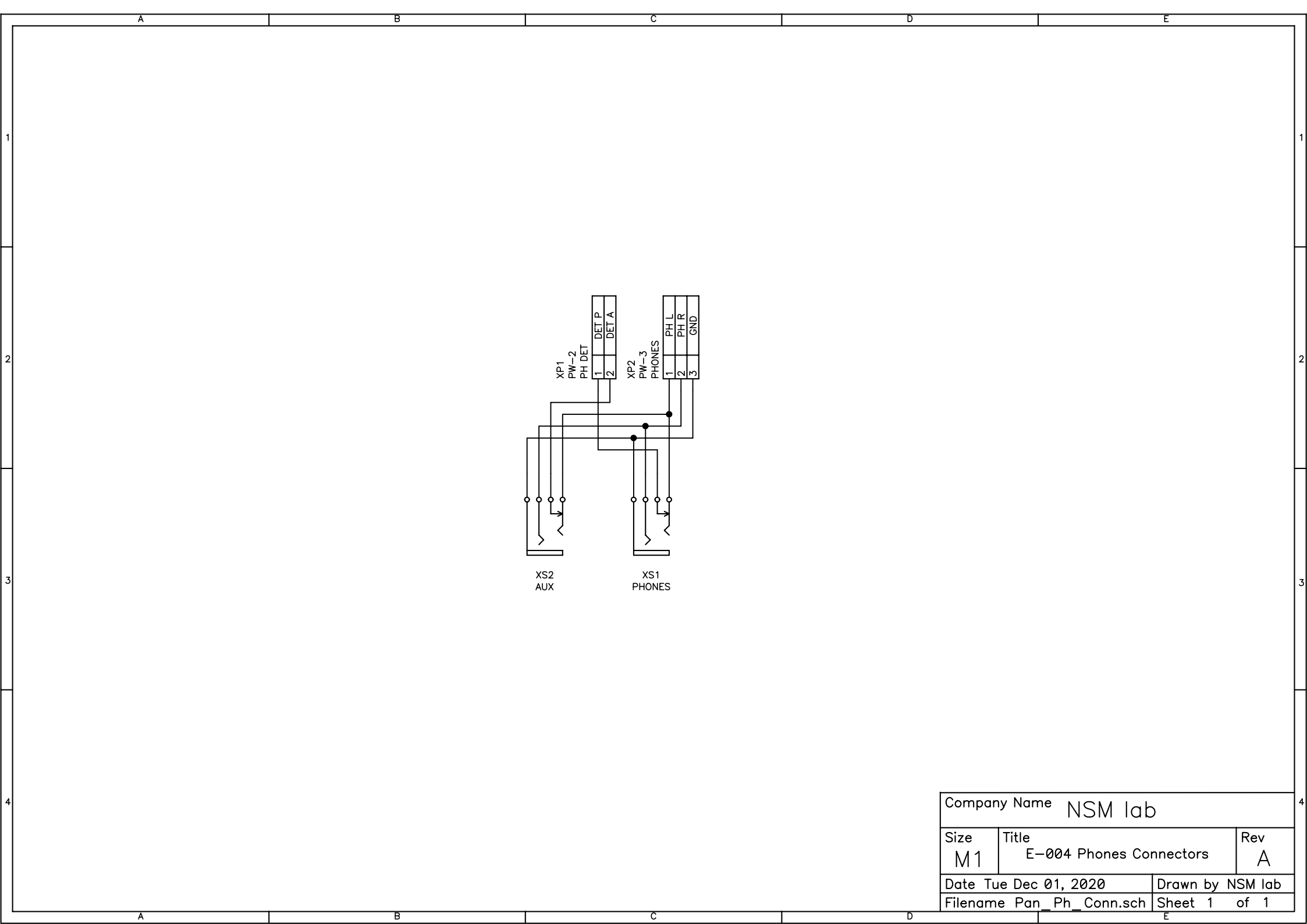
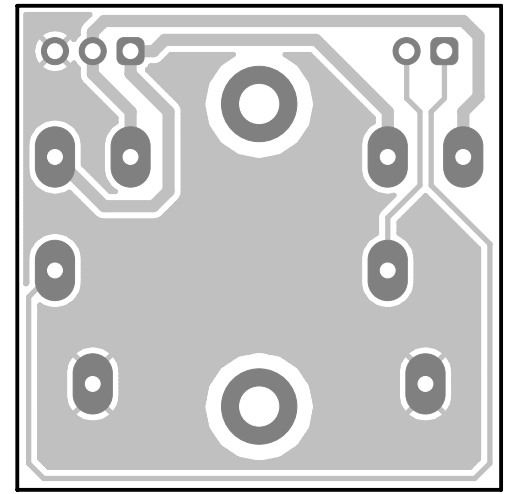
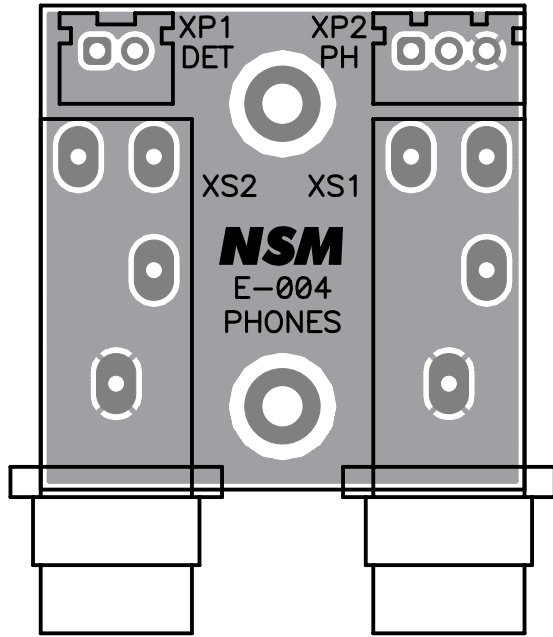


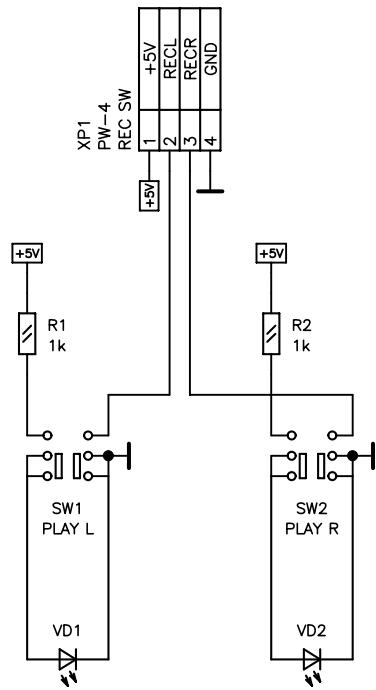
Company Name NSM lab		
Size M1	Title E-004 Mic Connectors	Rev A
Date Thu Nov 26, 2020	Drawn by NSM lab	
Filename Pan_Mic_Conn.sch	Sheet 1 of 1	



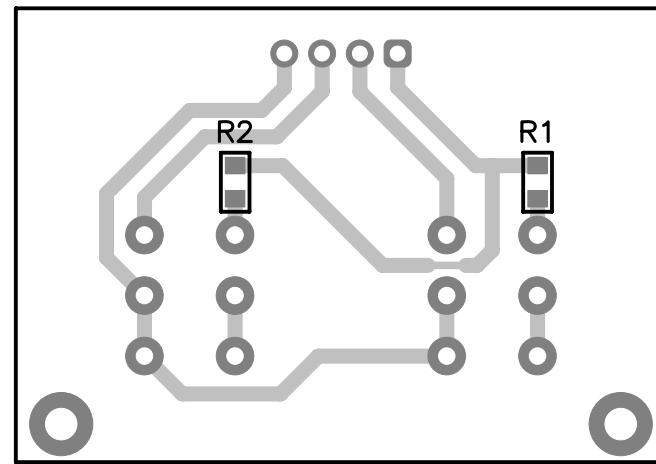
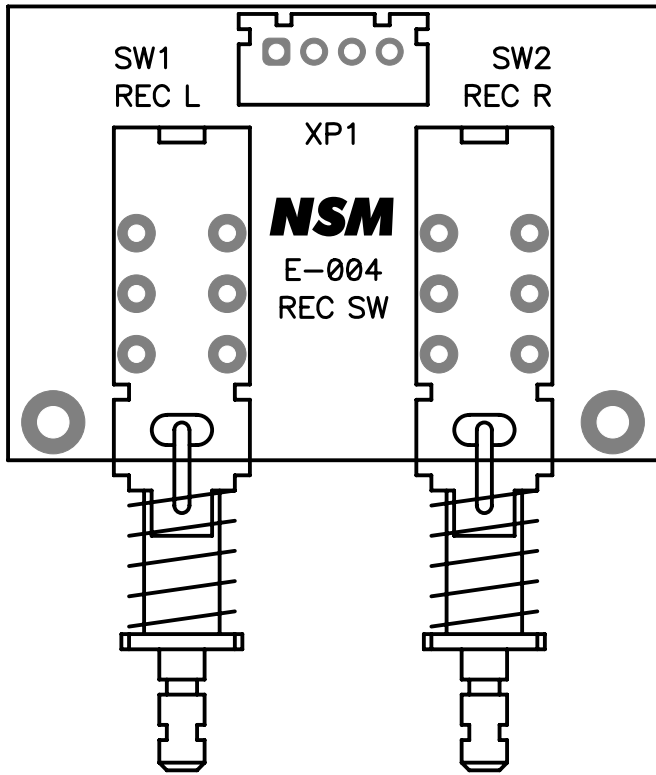


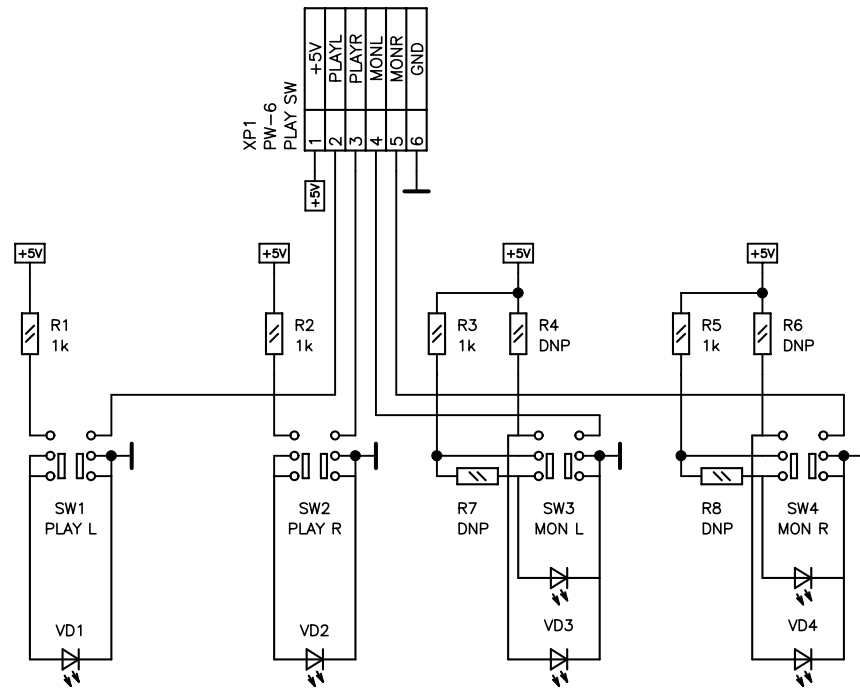
Company Name NSM lab		
Size M1	Title E-004 Phones Connectors	Rev A
Date Tue Dec 01, 2020		Drawn by NSM lab
Filename Pan_Ph_Conn.sch		Sheet 1 of 1



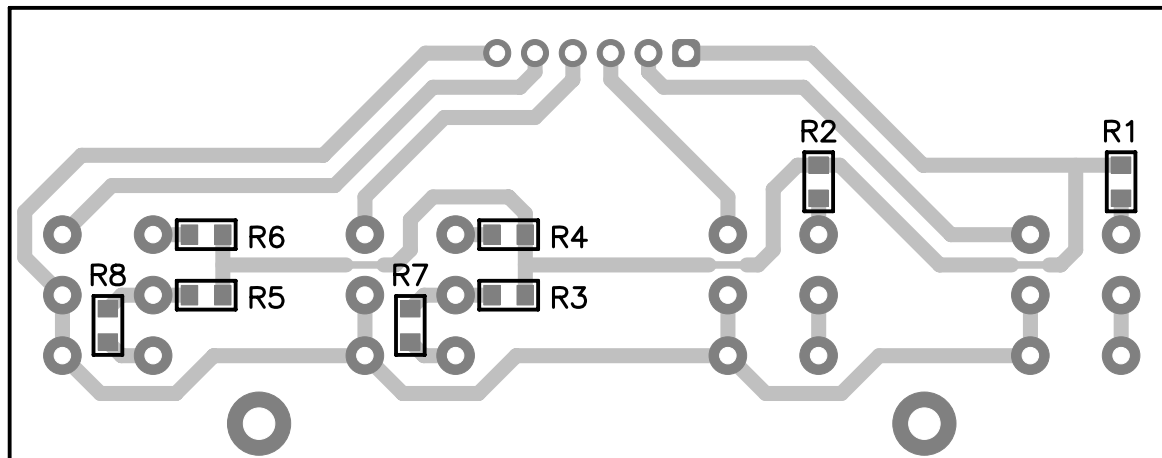
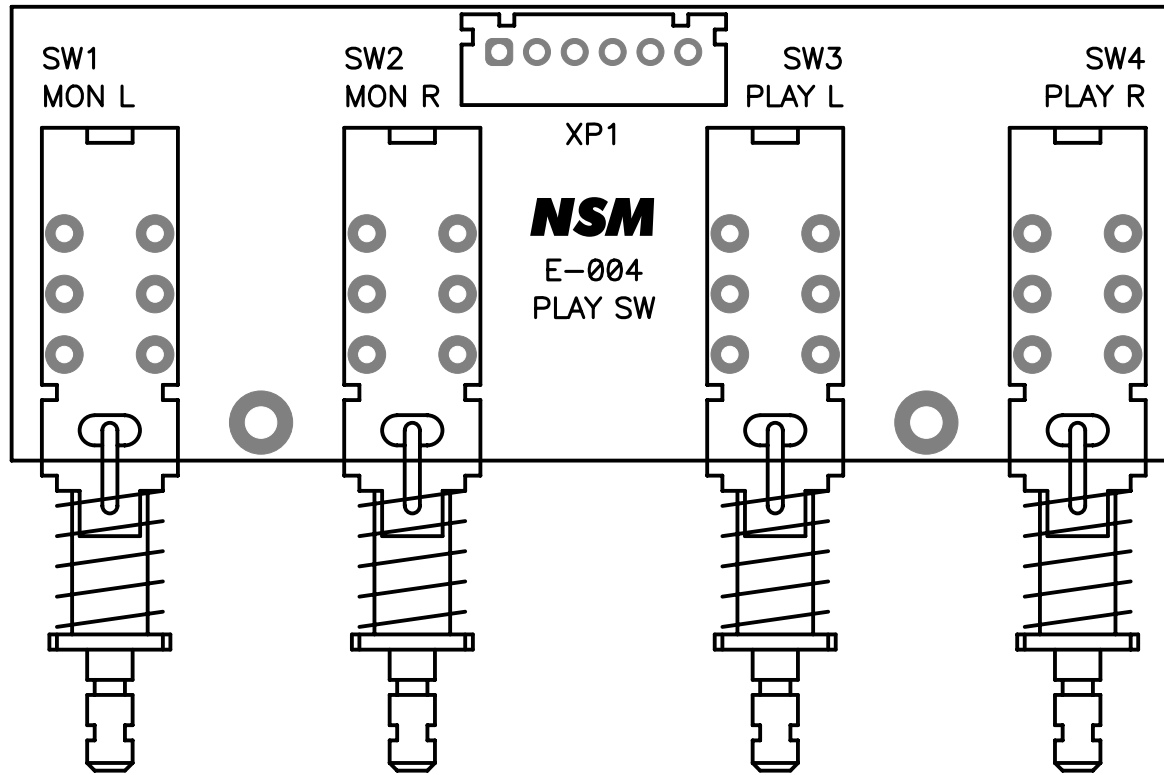


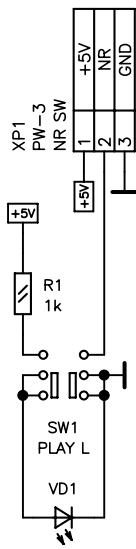
Company Name NSM lab		
Size M1	Title E-004 Rec Switch	Rev A
Date Thu Nov 26, 2020		Drawn by NSM lab
Filename Pan_Rec_Sw.sch		Sheet 1 of 1



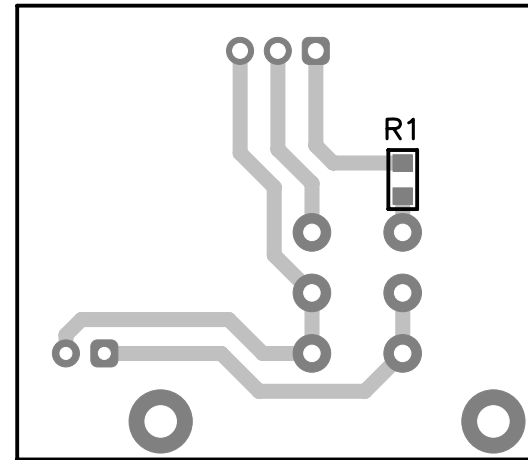
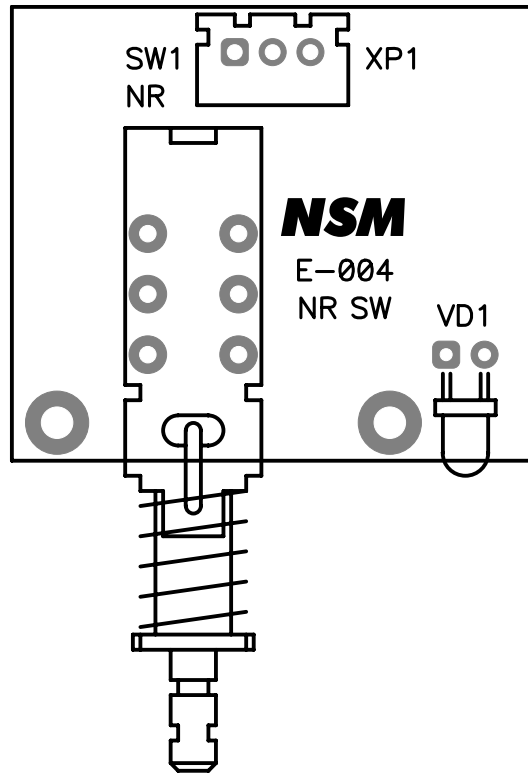


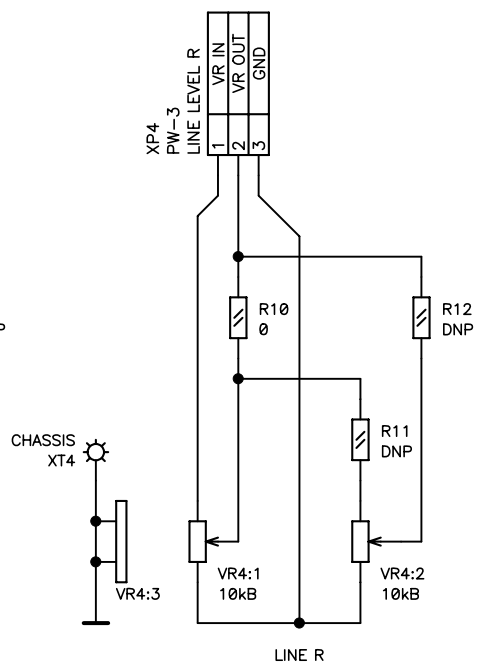
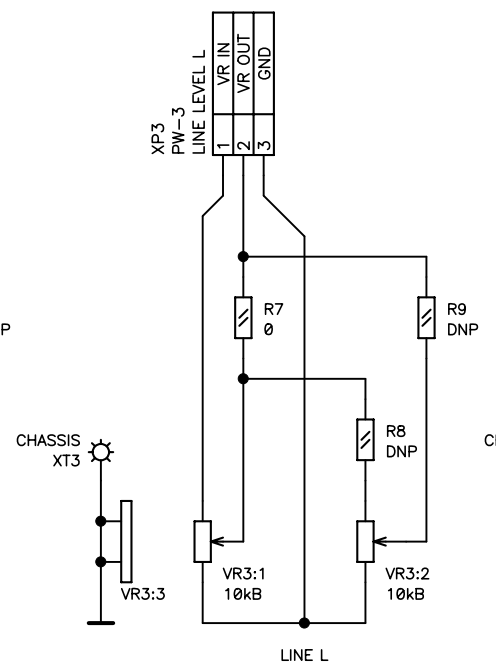
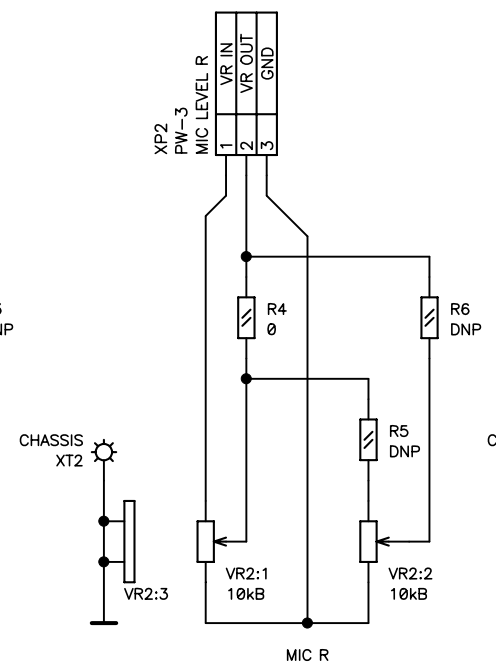
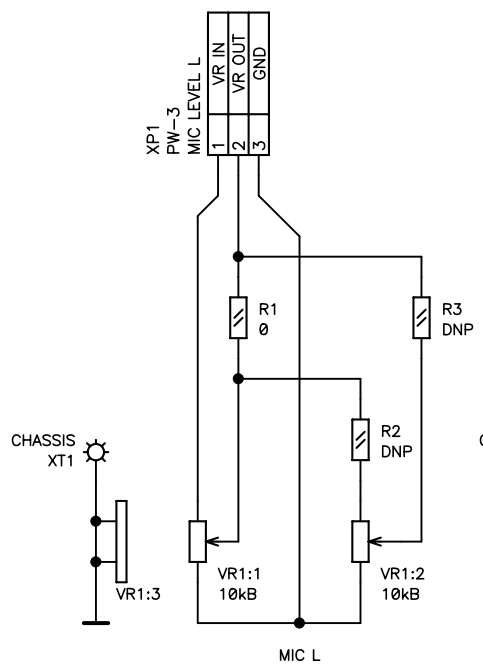
Company Name NSM lab		
Size M1	Title E-004 Play Switch	Rev A
Date Thu Nov 26, 2020	Drawn by NSM lab	
Filename Pan_Play_Sw.sch	Sheet 1 of 1	



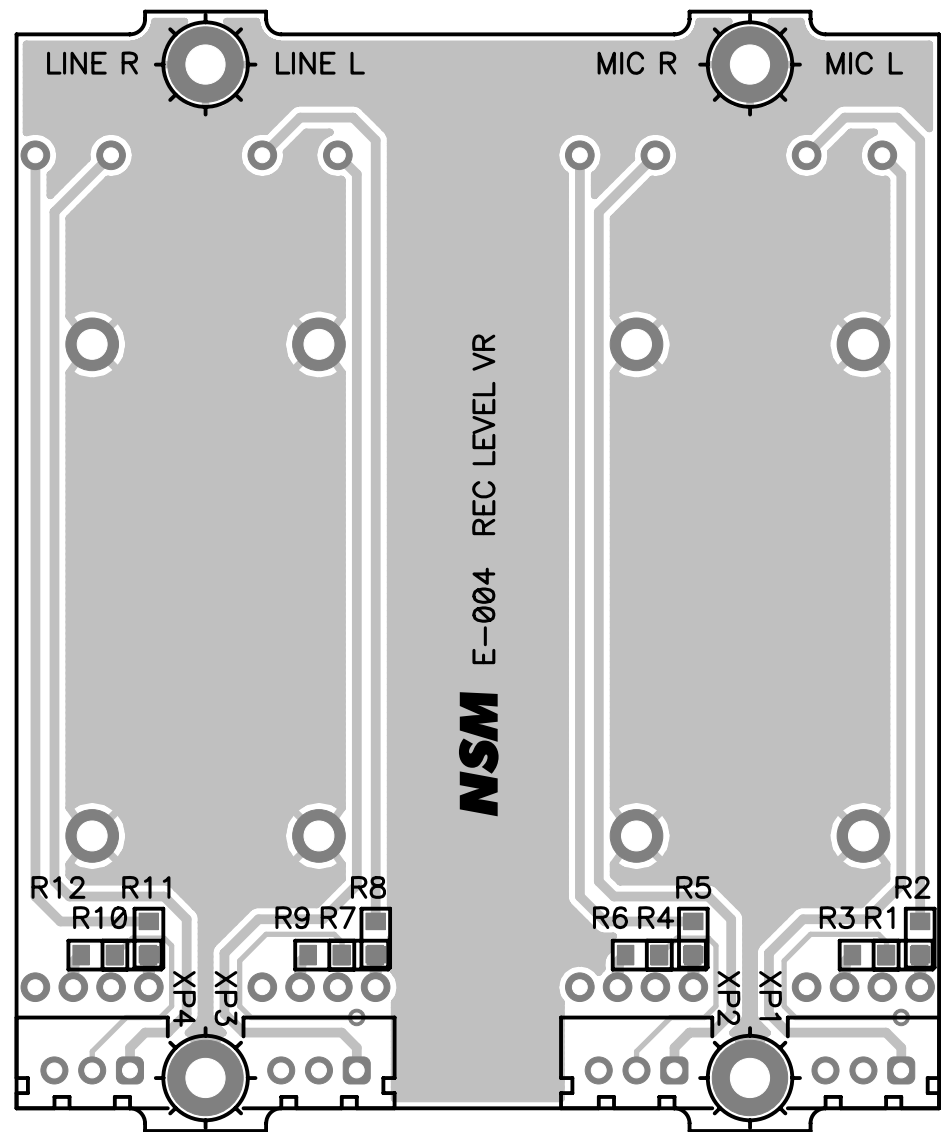
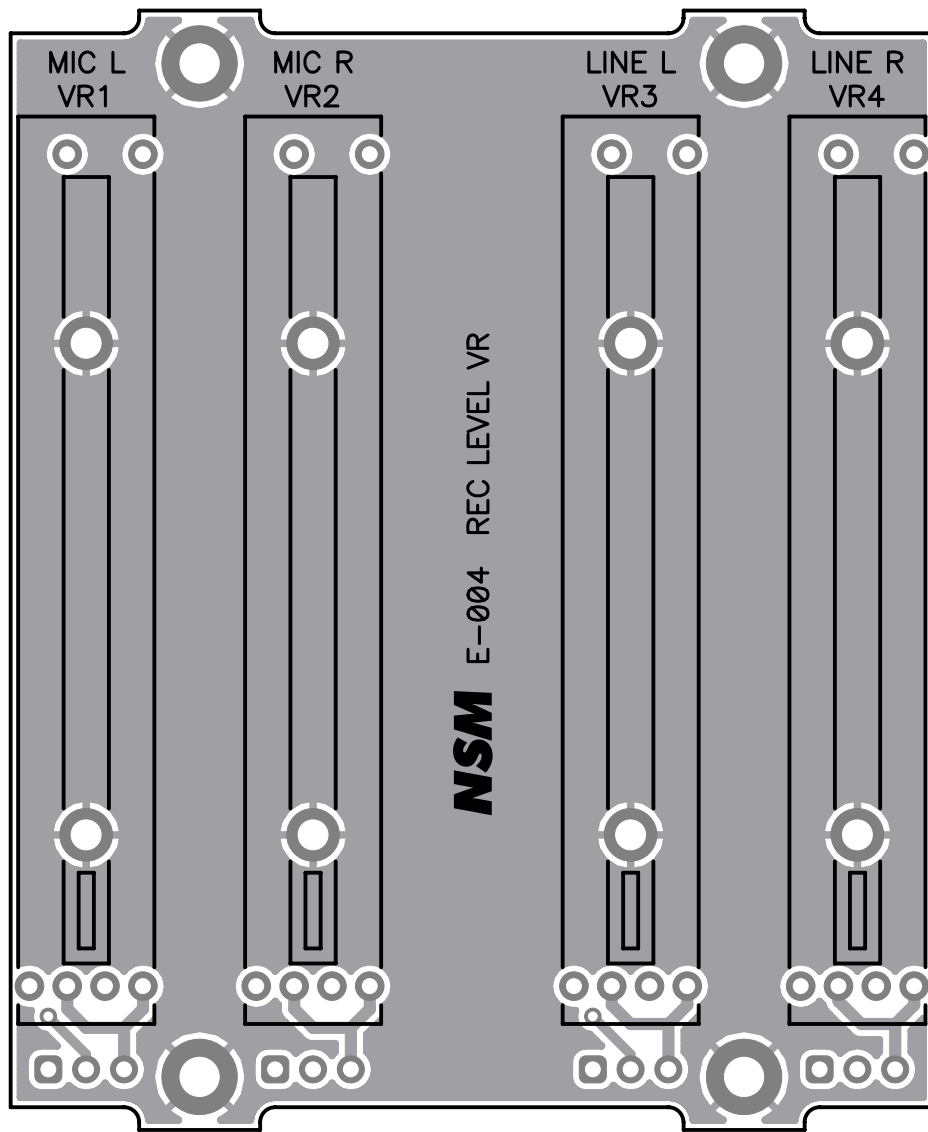


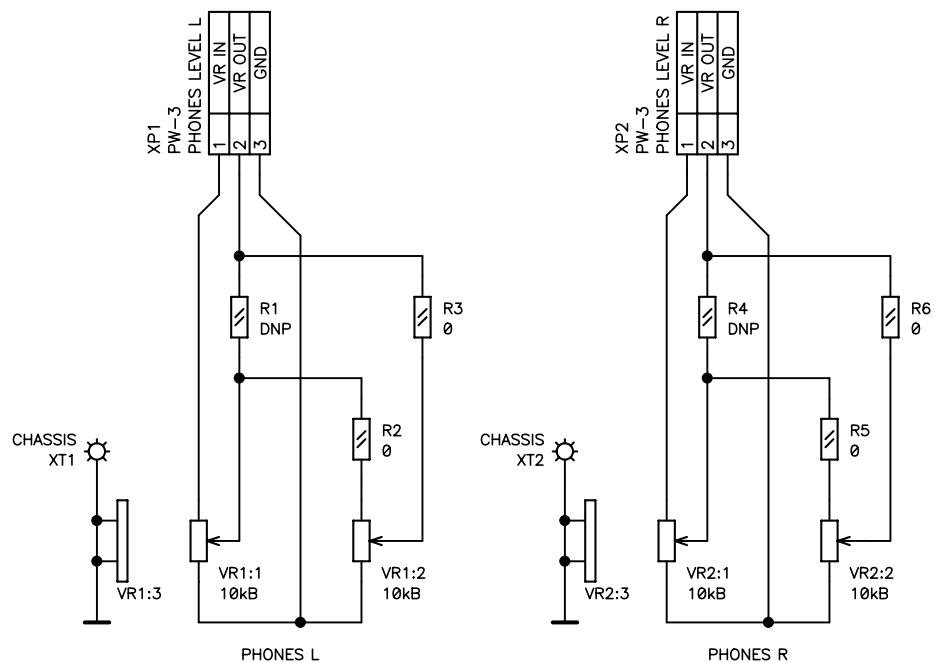
Company Name NSM lab		
Size M1	Title E-004 NR Switch	Rev A
Date Thu Nov 26, 2020		Drawn by NSM lab
Filename Pan_NR_Sw.sch		Sheet 1 of 1





Company Name NSM lab		
Size M1	Title E-004 Rec Level	Rev A
Date Tue Dec 01, 2020		Drawn by NSM lab
Filename Pan_Rec_VR.sch		Sheet 1 of 1





Company Name NSM lab		
Size M1	Title E-004 Phones Level	Rev A
Date Tue Dec 01, 2020		Drawn by NSM lab
Filename Pan_Ph_VR.sch		Sheet 1 of 1

