

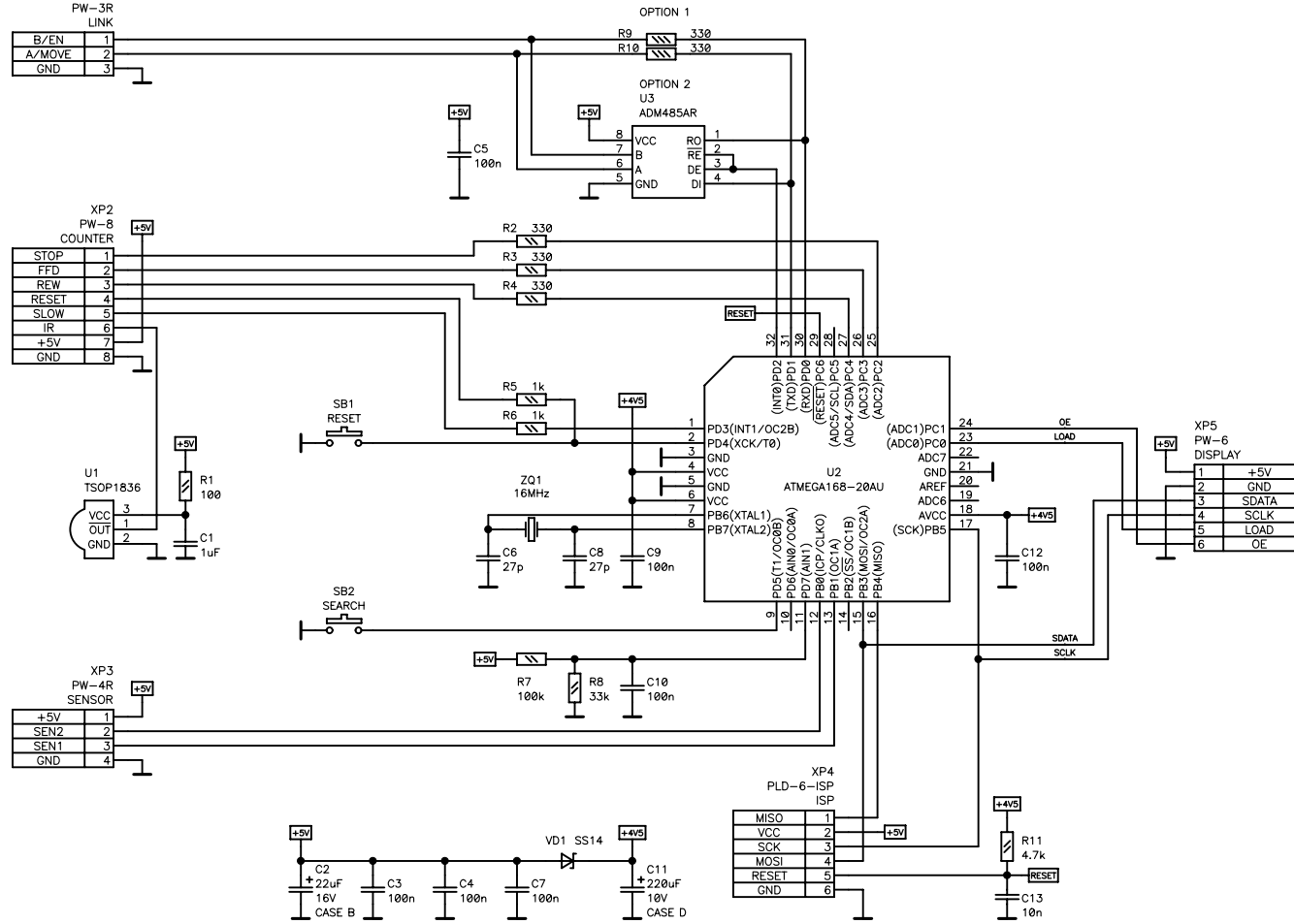
XP1 PW-3R LINK	
B/EN	1
A/MOVE	2
GND	3

XP2 PW-8 COUNTER	
STOP	1
FFW	2
REW	3
RESET	4
SLOW	5
IR	6
+5V	7
GND	8

XP3 PW-4R SENSOR	
+5V	1
SEN2	2
SEN1	3
GND	4

XP4 PLD-6-ISP ISP	
MISO	1
VCC	2
SCK	3
MOSI	4
RESET	5
GND	6

XP5 PW-6 DISPLAY	
+5V	1
GND	2
SDATA	3
SCLK	4
LOAD	5
OE	6



Company Name NSM lab		
Size A3	Title Olymp-004 Tape Cnt Processor	Rev A
Date Tue May 18, 2021	Drawn by NSM lab	
Filename Cnt_proc.sch	Sheet 1 of 1	