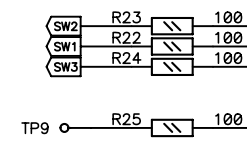
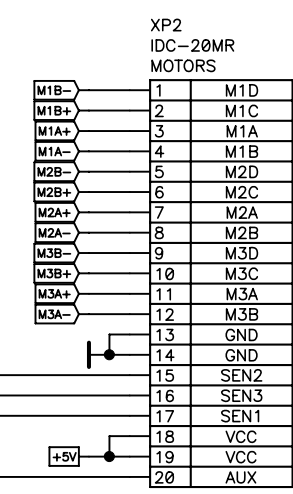
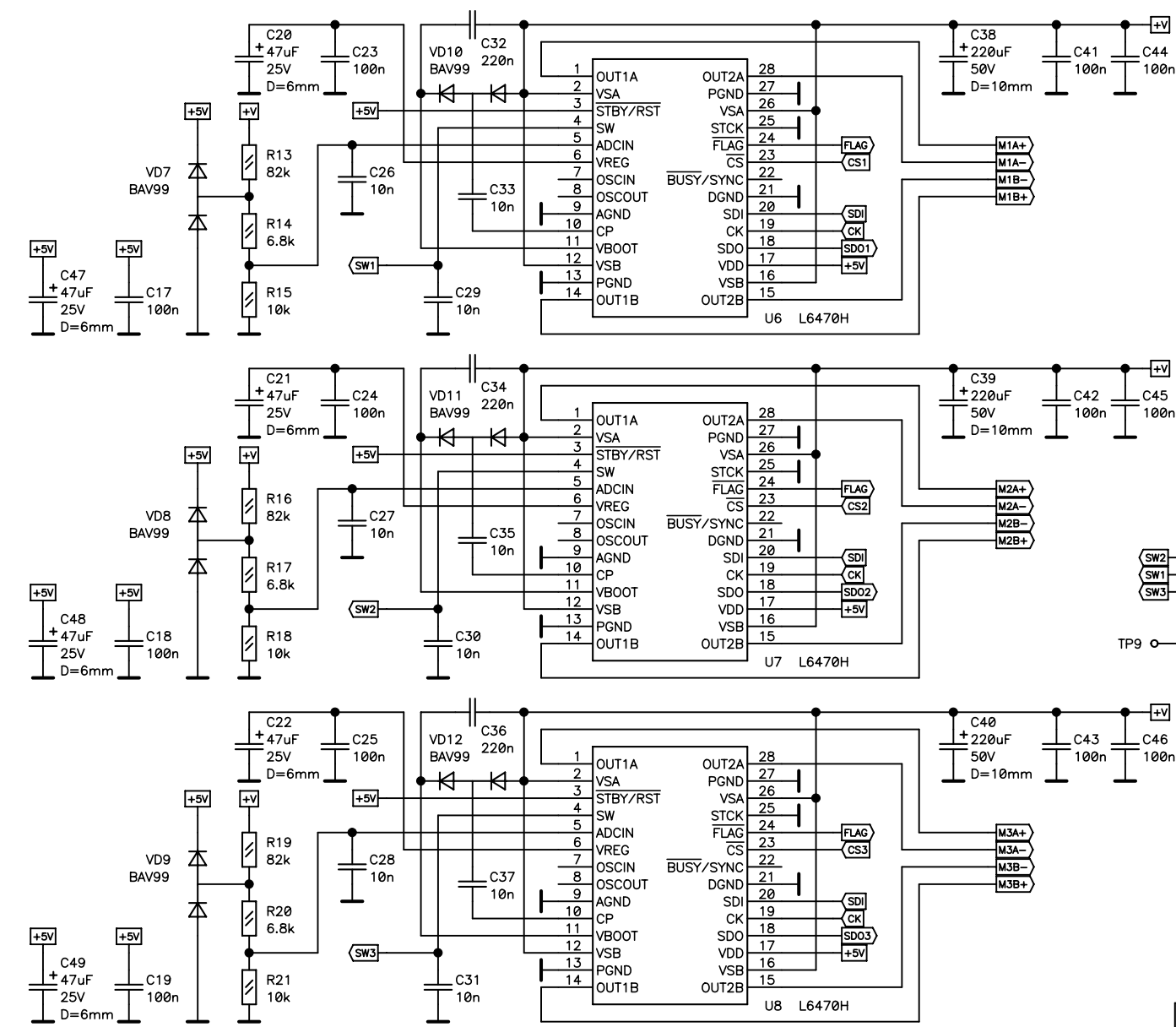


VCC	1
USBDM	2
USBDP	3
GND	4
SHIELD	5

1	MISO
2	VCC
3	SCK
4	MOSI
5	RESET
6	GND

Company Name NSM lab		
Size M1	Title Microstepping controller	Rev A
Date Tue Dec 08, 2020		Drawn by NSM lab
Filename Step128motor.sch		Sheet 1 of 2



Company Name NSM lab		
Size M1	Title Microstepping controller	Rev A
Date Tue Dec 08, 2020		Drawn by NSM lab
Filename Step128motor.sch		Sheet 2 of 2