

XP3
PLS-14
Front Panel

1	CATHODE
2	STEP
3	DOWN
4	UP
5	CHAN
6	EN-BT
7	EN-F1
8	EN-F2
9	RES
10	VCC
11	SDA
12	GND
13	SCL
14	ANODE

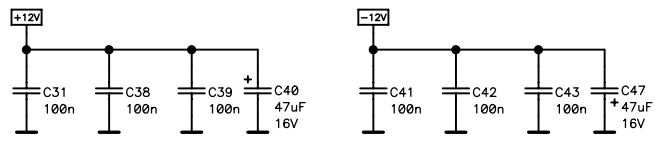
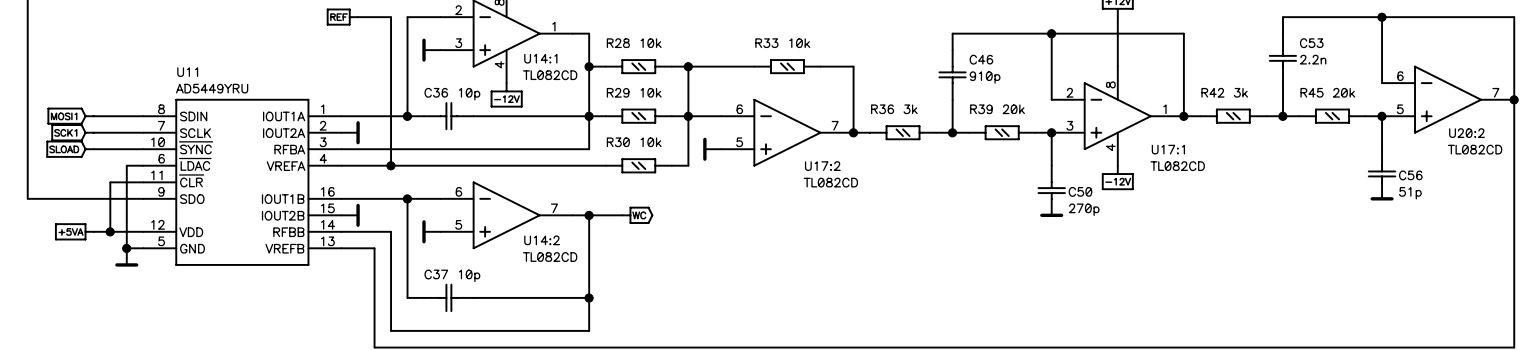
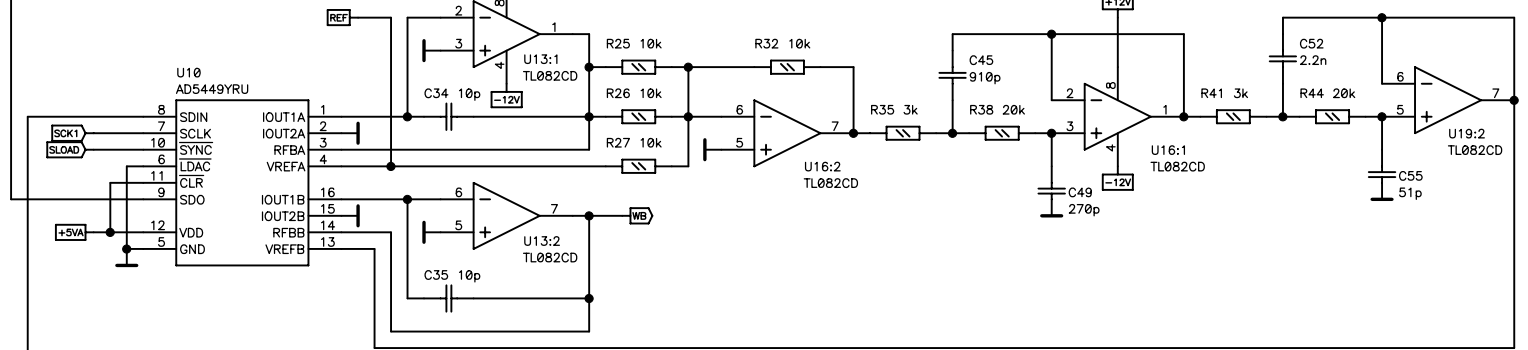
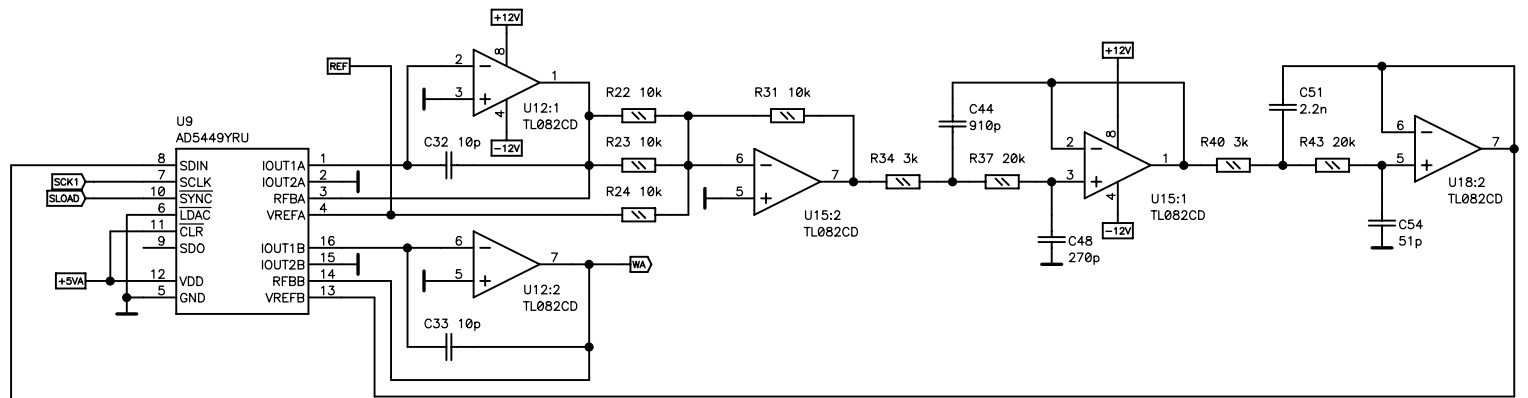
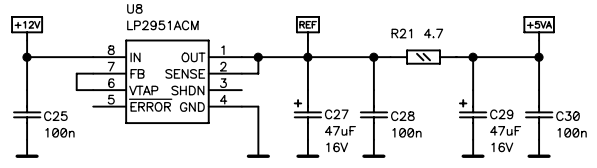
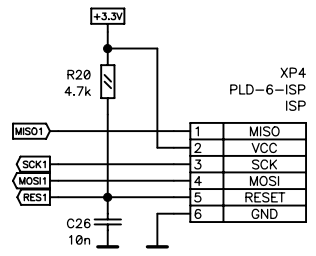
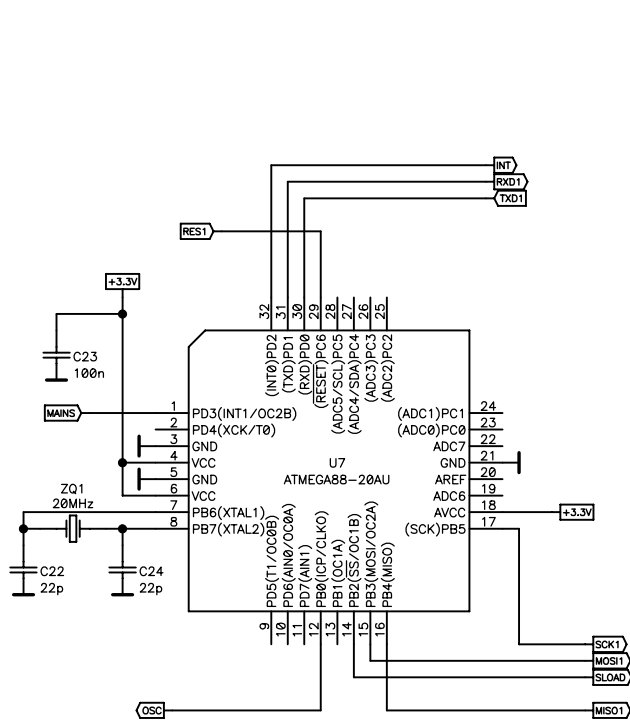
XP1
PLD-6-ISP
ISP

1	MISO
2	VCC
3	SCK
4	MOSI
5	RESET
6	GND

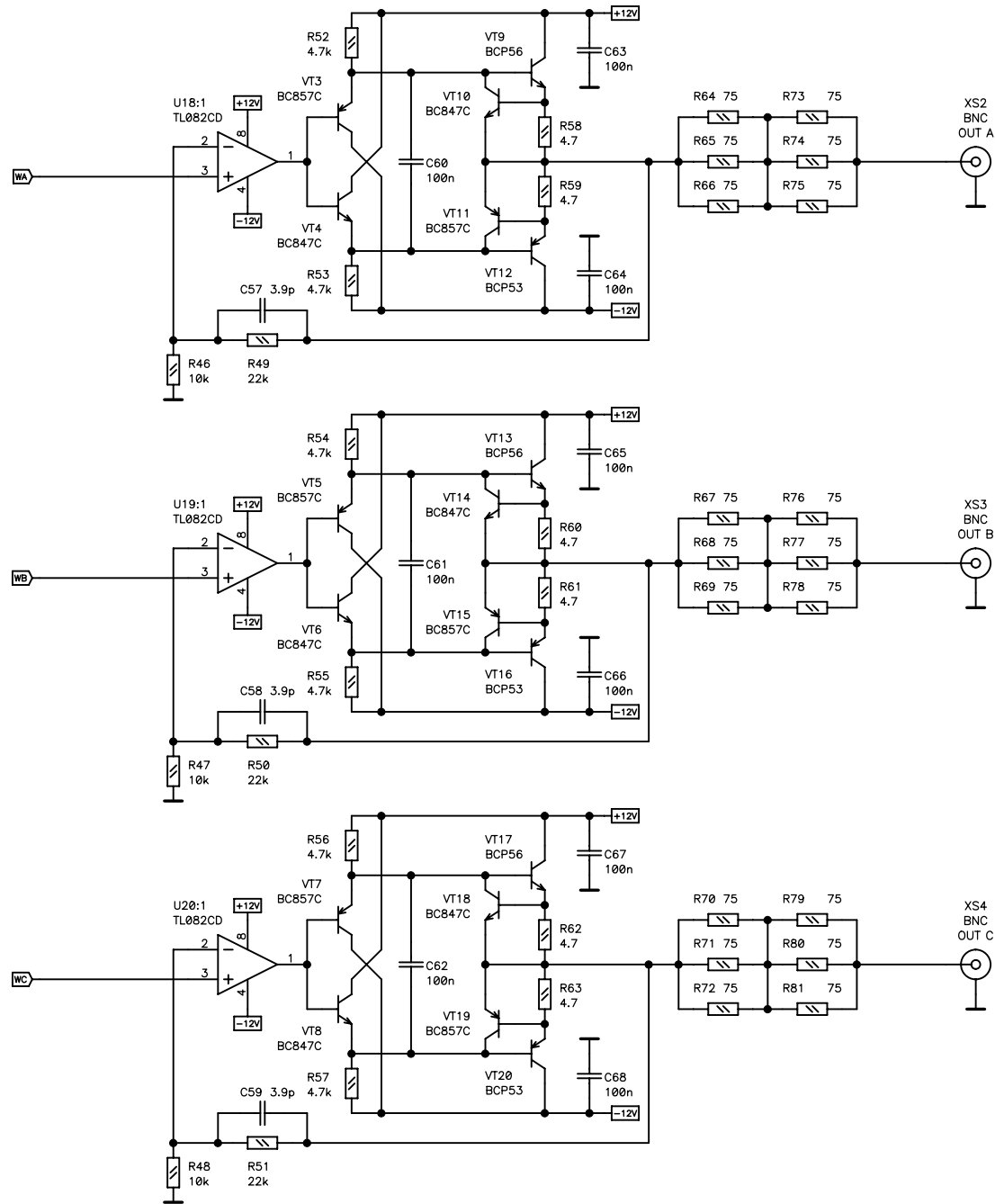
XP2
PLS-5
RS-323/RS-485

1	VCC
2	RXD0
3	TXD0
4	DIR
5	GND

Company Name NSM lab		
Size A35	Title SG-653	Rev A
Date Tue Oct 16, 2018	Drawn by NSM lab	
Filename SG-653_Main.sch	Sheet 1 of 3	



Company Name NSM lab		
Size A35	Title SG-653	Rev A
Date Tue Oct 16, 2018	Drawn by NSM lab	
Filename SG-653_Main.sch	Sheet 2 of 3	



Company Name NSM lab		
Size A35	Title SG-653	Rev A
Date Tue Oct 16, 2018	Drawn by NSM lab	
Filename SG-653_Main.sch	Sheet 3 of 3	

