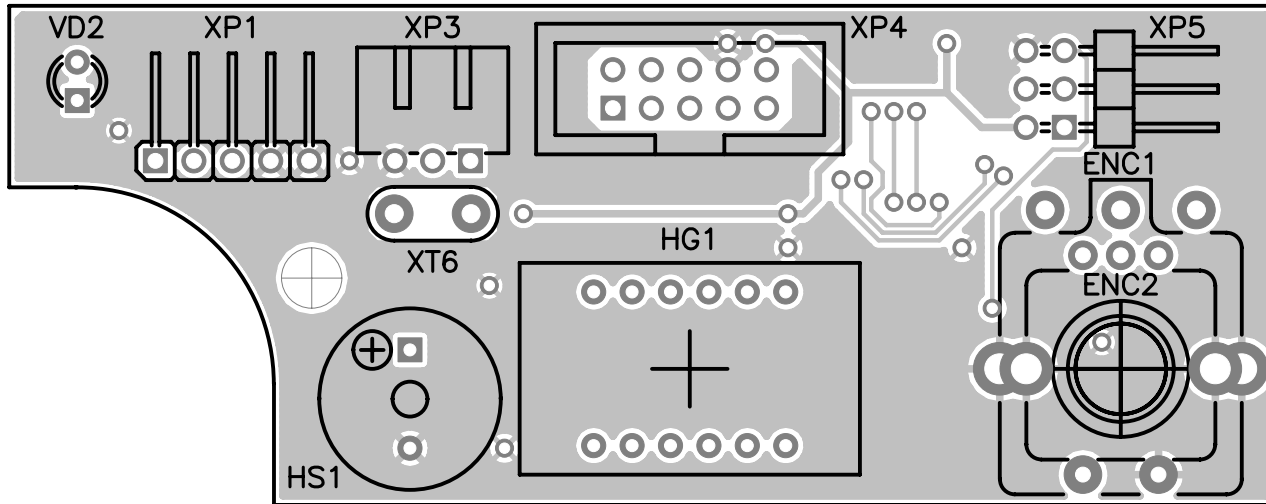
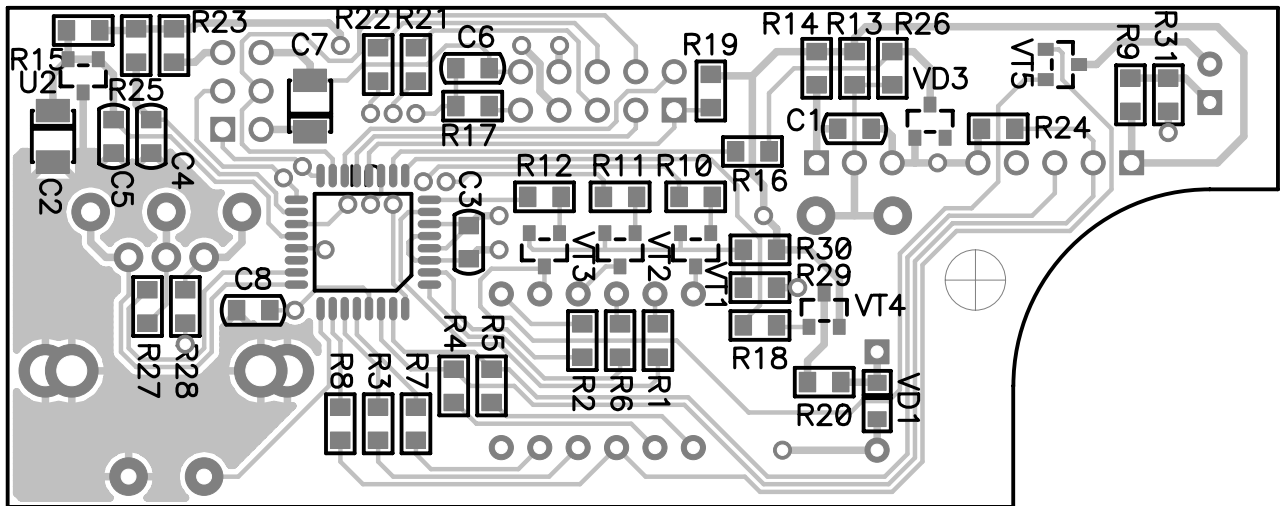
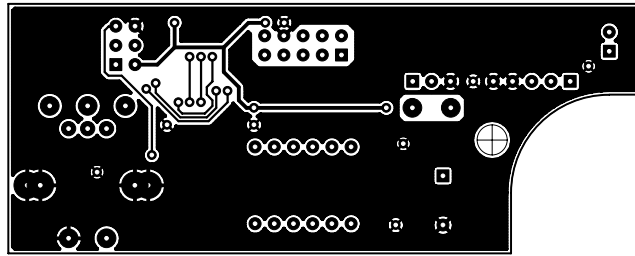
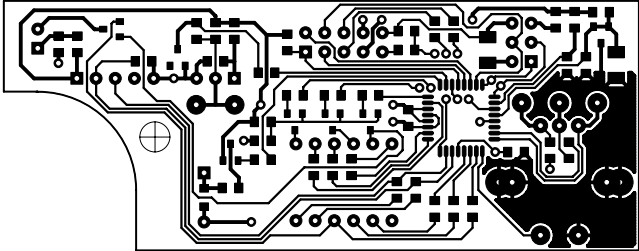


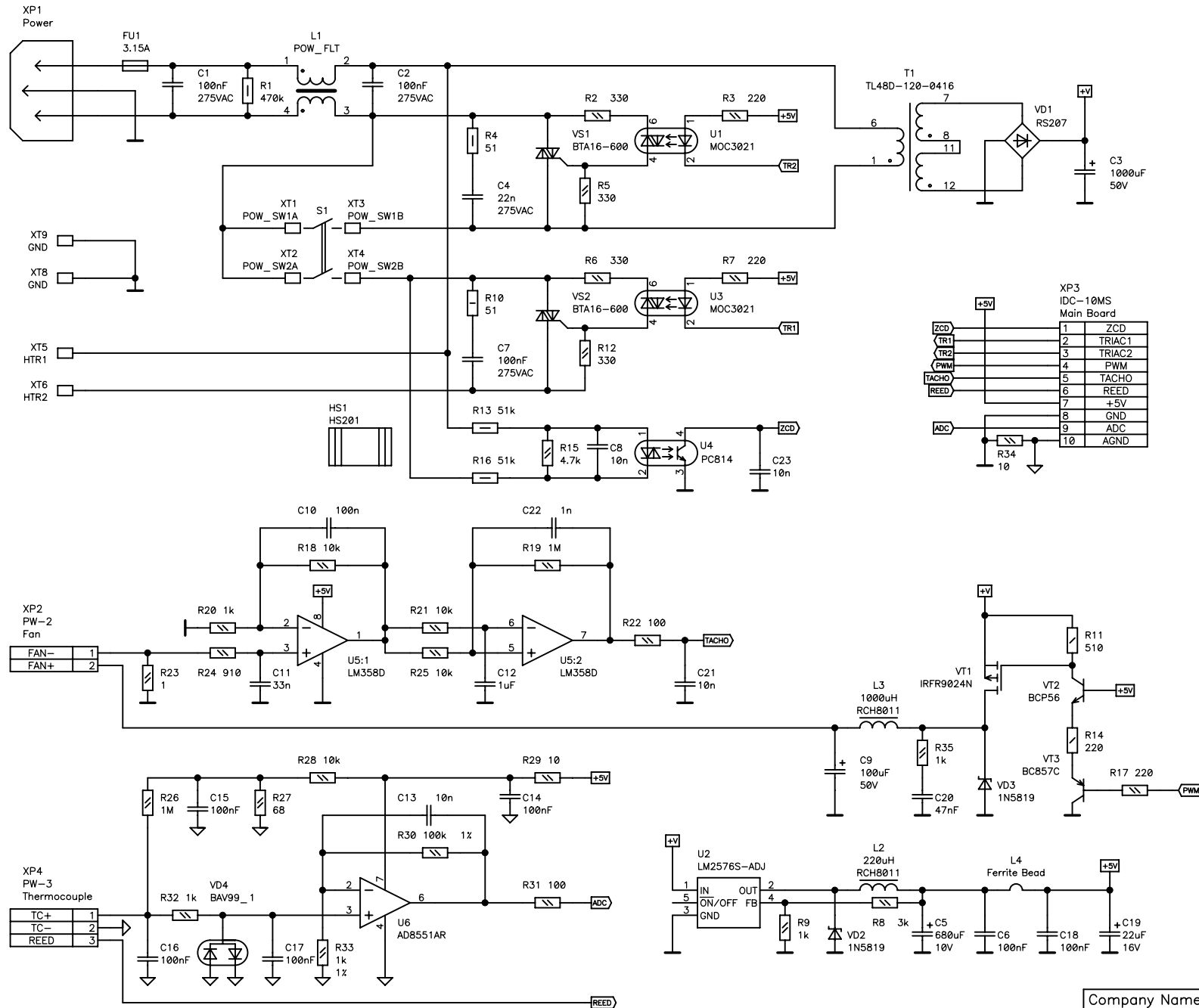
Company Name		NSM lab	
Size	Title	Rev	
A35	DFS-90 (panel)	A	
Date	Sat Feb 09, 2013	Drawn by	NSM lab
Filename	DFS-90_Panel_v04.sch	Sheet	1 of 1











XP3
IDC-10MS
Main Board

ZCD	1	ZCD
TR1	2	TRIAC1
TR2	3	TRIAC2
PWM	4	PWM
TACHO	5	TACHO
REED	6	REED
	7	+5V
	8	GND
ADC	9	ADC
	10	AGND

XP2
PW-2
Fan

FAN-	1
FAN+	2

XP4
PW-3
Thermocouple

TC+	1
TC-	2
REED	3

Company Name NSM lab		
Size A35	Title DFS-90 (main)	Rev A
Date Sat May 11, 2013	Drawn by NSM lab	
Filename DFS-90_v04.sch	Sheet 1 of 1	

