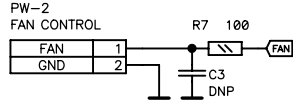
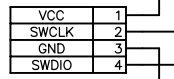


XP1 For PSL-2402 only

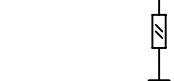


R7 (100) - PWM FAN control
R7 (4.7k), C3 (100n) - linear FAN control

XP2
PLS-4
SWD



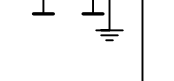
JP1
BOOT



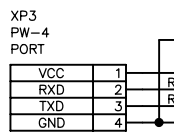
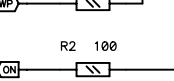
OFF
CV
CC



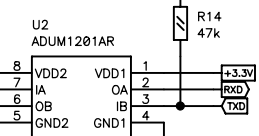
+3.3VA
C1 100n



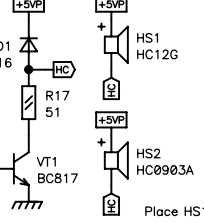
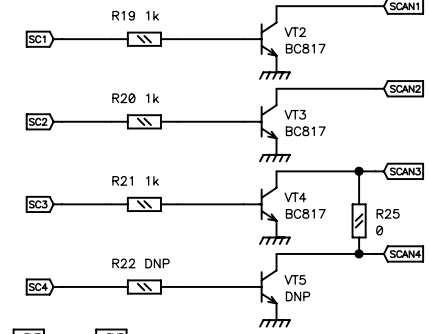
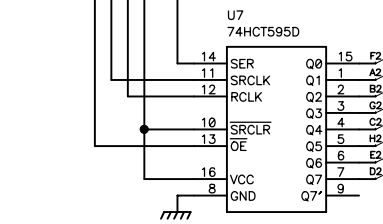
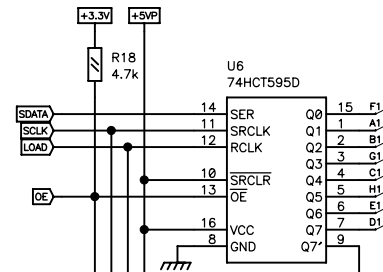
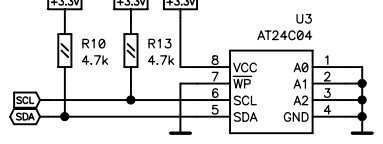
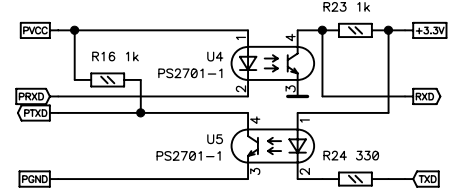
R3 4.7k
R1 100
R2 100



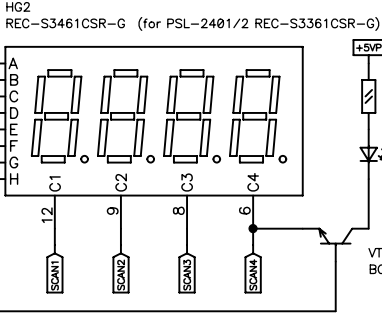
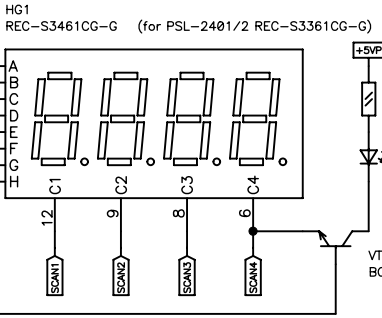
For PSL-2402 only



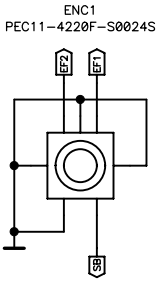
Place U2, R14
or U4, U5, R16, R23, R24



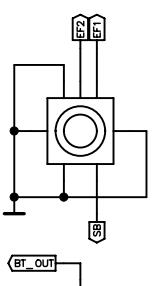
Place HS1 or HS2



Place ENC1 or ENC2

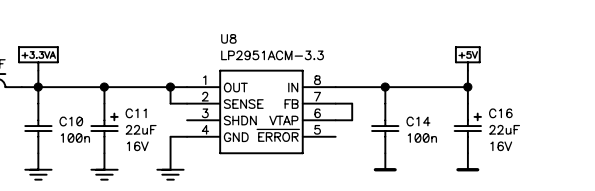
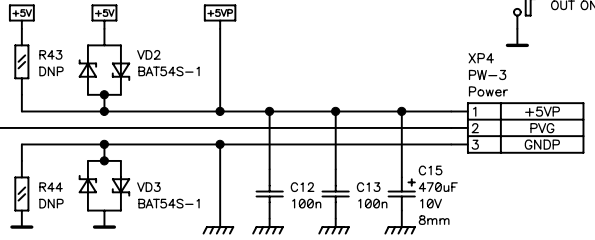


Place ENC2

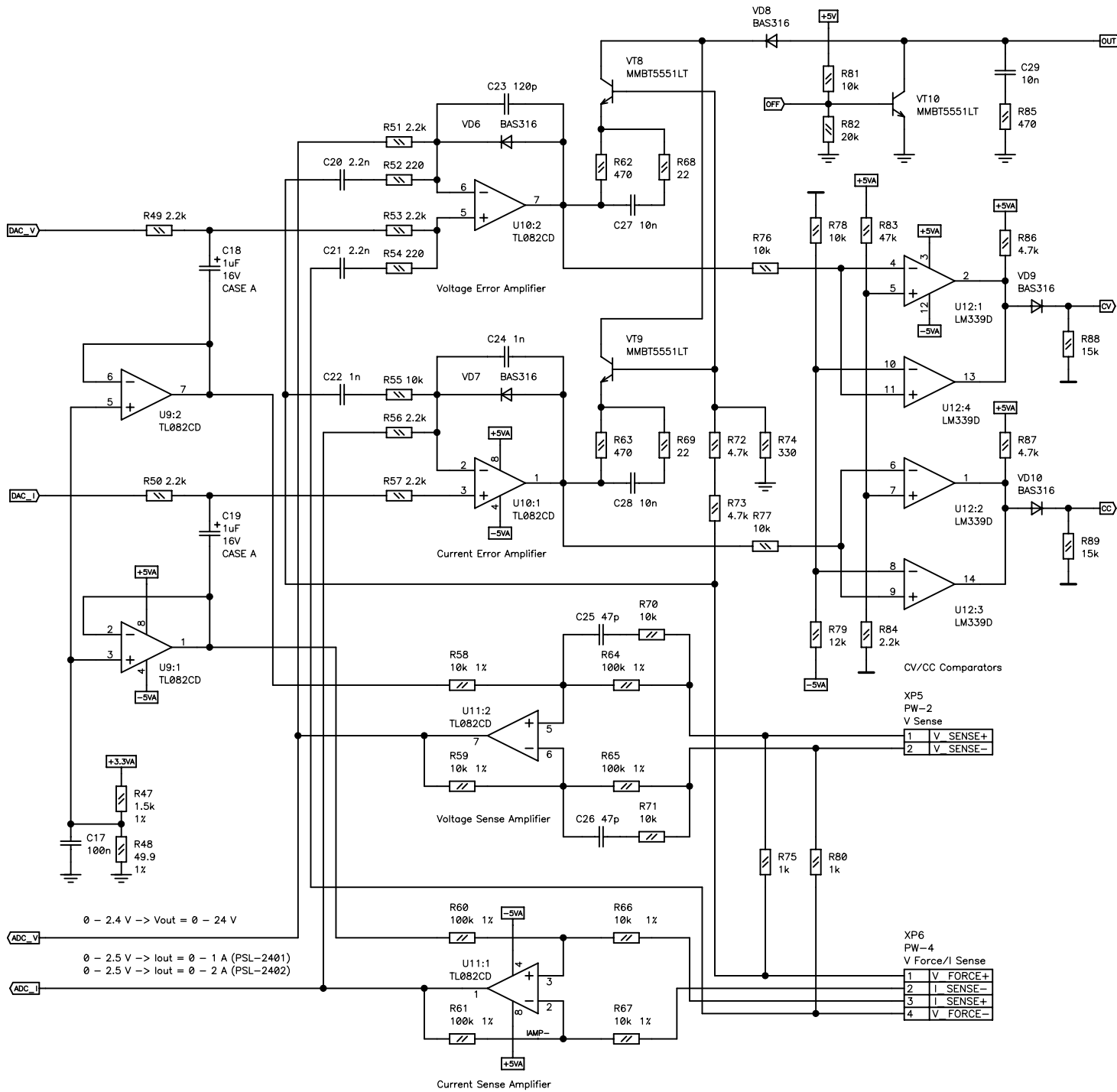


BT_OUT

SB1 OUT ON/OFF

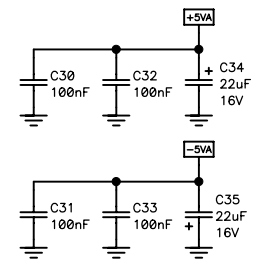


Company Name		NSM lab	
Size	Title	Rev	
A35	PSL-2401/2 (front panel board)	A	
Date	Fri Nov 21, 2014	Drawn by	NSM lab
Filename	PSL-2401_pan.sch	Sheet	1 of 2



XP7
IDC-10MS
OUT STAGE BOARD

1	GNDD
2	ON
3	+5VD
4	-5VA
5	OWP
6	+5VA
7	GNDD
8	IN
9	GNDA
10	GNDA



0 - 2.4 V → Vout = 0 - 24 V
 0 - 2.5 V → Iout = 0 - 1 A (PSL-2401)
 0 - 2.5 V → Iout = 0 - 2 A (PSL-2402)

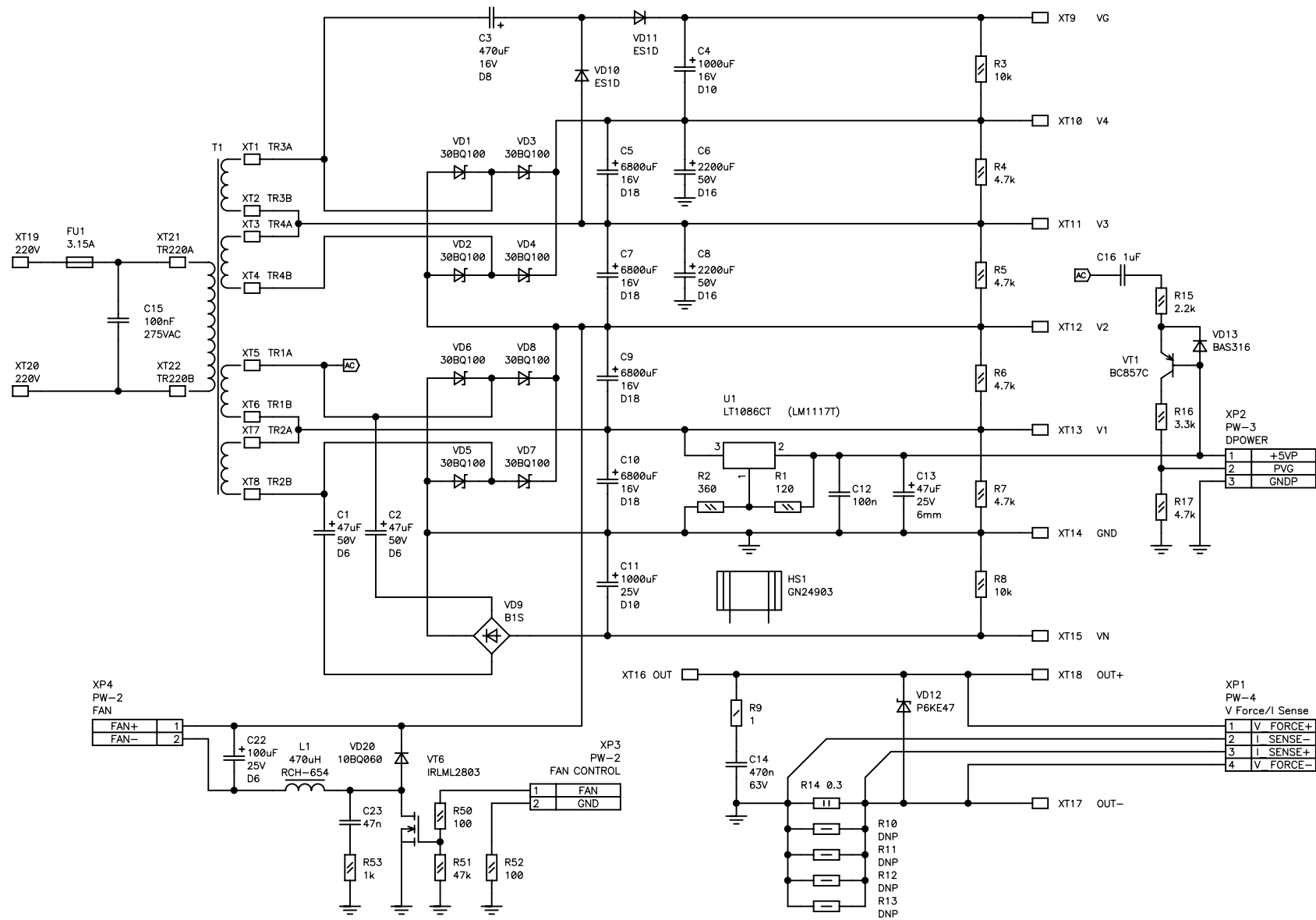
XP5
PW-2
V Sense

1	V SENSE+
2	V SENSE-

XP6
PW-4
V Force/I Sense

1	V FORCE+
2	I SENSE-
3	I SENSE+
4	V FORCE-

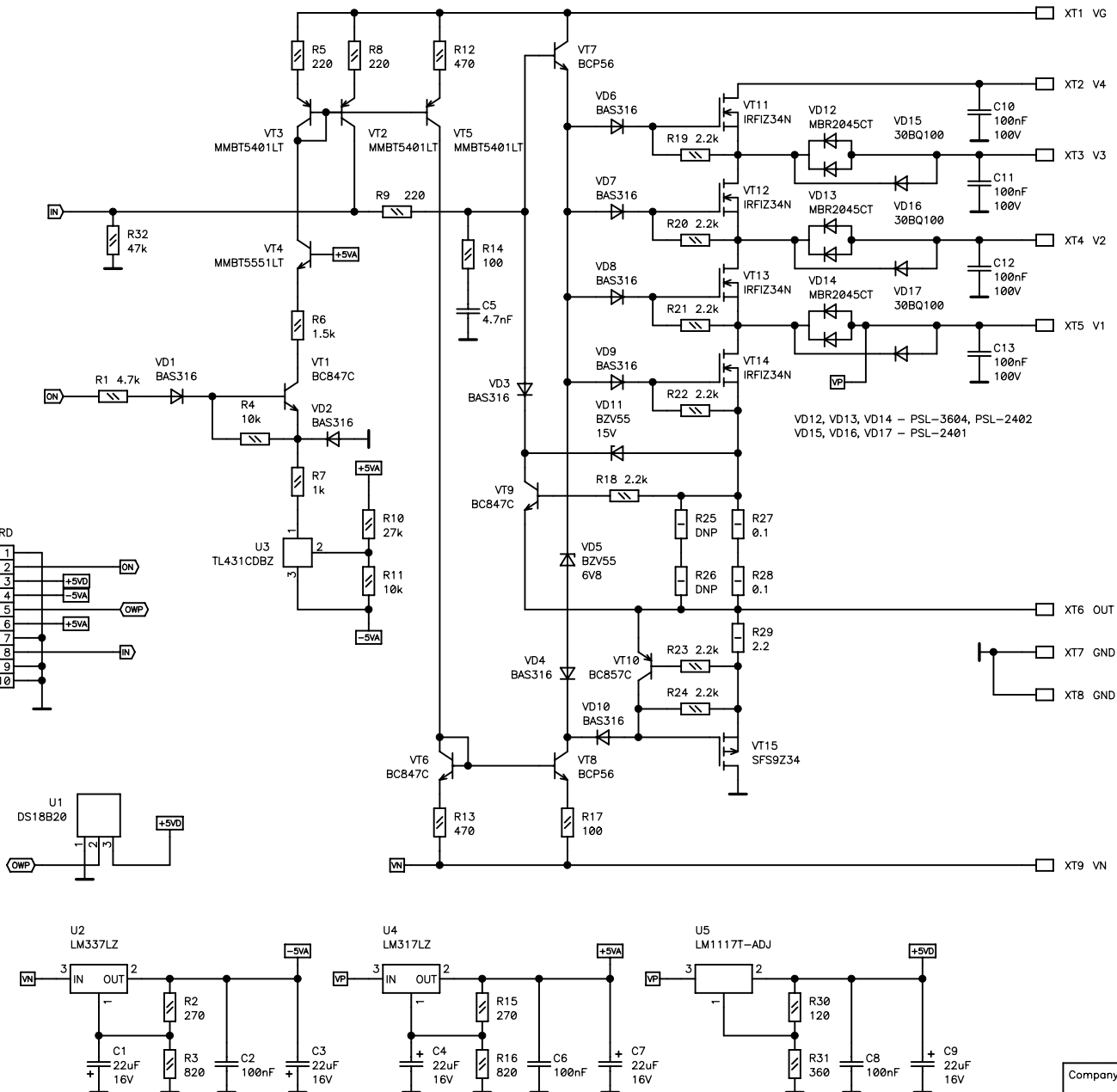
Company Name NSM lab		
Size A35	Title PSL-2401/2 (front panel board)	Rev A
Date Fri Nov 21, 2014	Drawn by NSM lab	
Filename PSL-2401_pan.sch	Sheet 2	of 2



Company Name		NSM lab	
Size	Title	Rev	
A35	PSL-2401 (power supply board)	A	
Date	Sat Nov 01, 2014	Drawn by	NSM lab
Filename	PSL-2401_pow.sch	Sheet	1 of 1

XP1
IDC-10MS
OUT STAGE BOARD

GNDD	1	
ON	2	ON
+5VD	3	+5VD
-5VA	4	-5VA
OWP	5	OWP
+5VA	6	+5VA
GNDD	7	
IN	8	IN
GND A	9	
GND A	10	



Company Name		NSM lab	
Size	Title	Rev	
A35	PSL-2401 (out stage board)	A	
Date	Fri Nov 21, 2014	Drawn by	NSM lab
Filename	PSL-2401_out.sch	Sheet	1 of 1