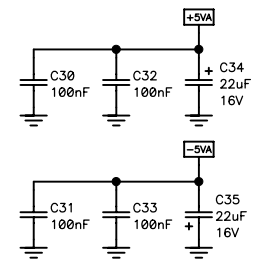


XP7
IDC-10MS
OUT STAGE BOARD

1	GNDD
2	ON
3	+5VD
4	-5VA
5	OWP
6	+5VA
7	GNDD
8	IN
9	GNDA
10	GNDA



XP5
PW-2
V Sense

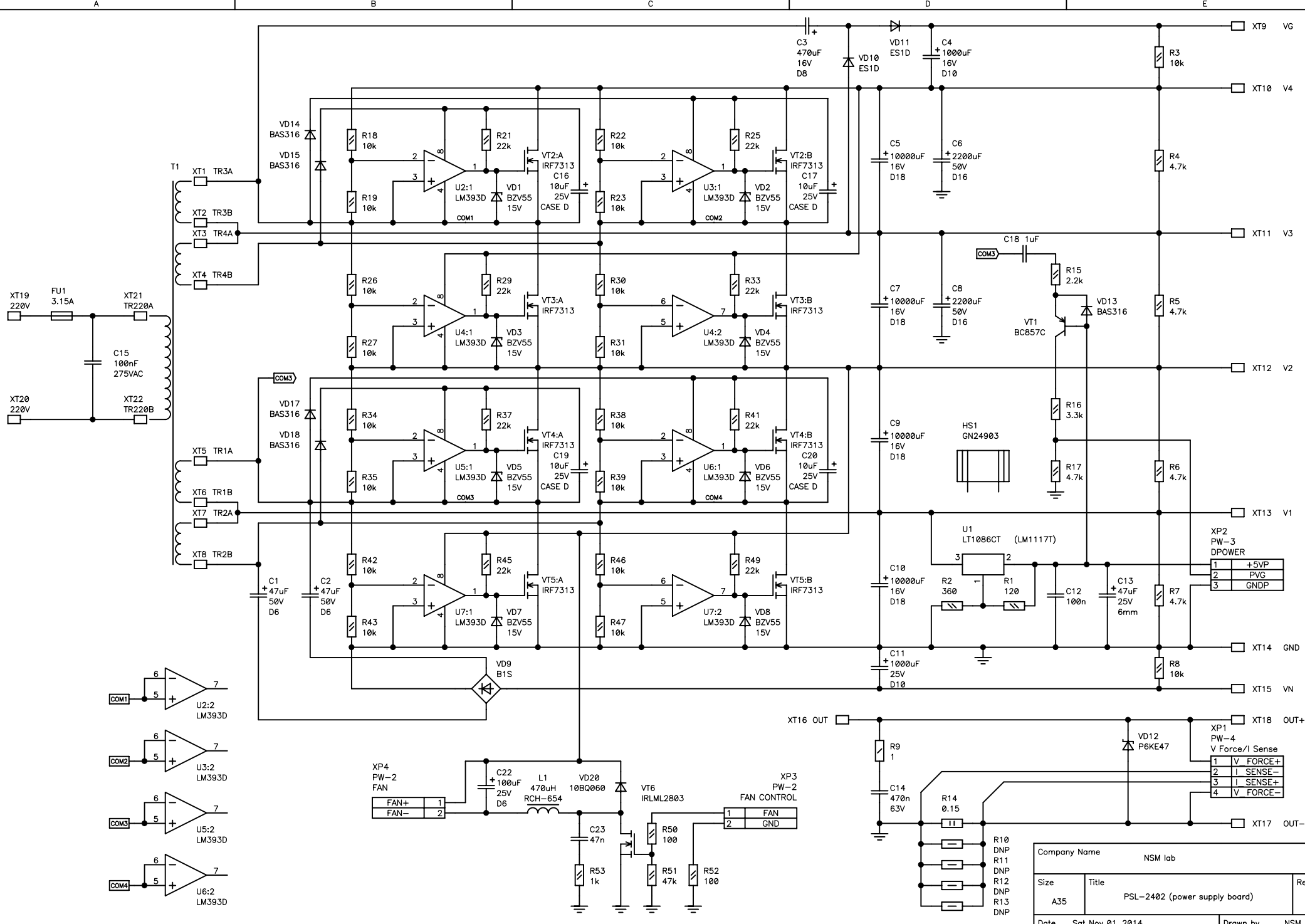
1	V SENSE+
2	V SENSE-

XP6
PW-4
V Force/I Sense

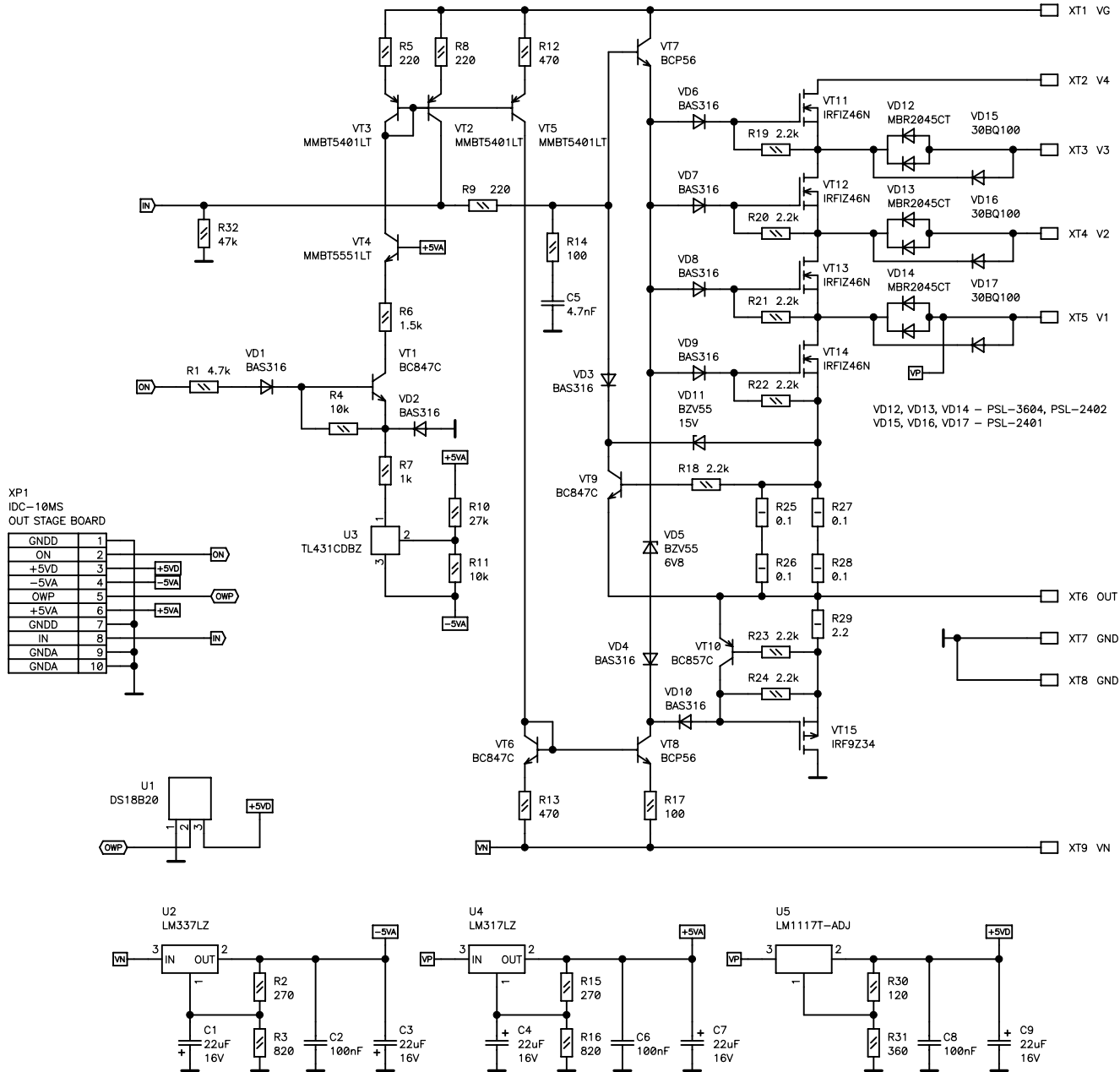
1	V FORCE+
2	I SENSE-
3	I SENSE+
4	V FORCE-

0 - 2.4 V → Vout = 0 - 24 V
 0 - 2.5 V → Iout = 0 - 1 A (PSL-2401)
 0 - 2.5 V → Iout = 0 - 2 A (PSL-2402)

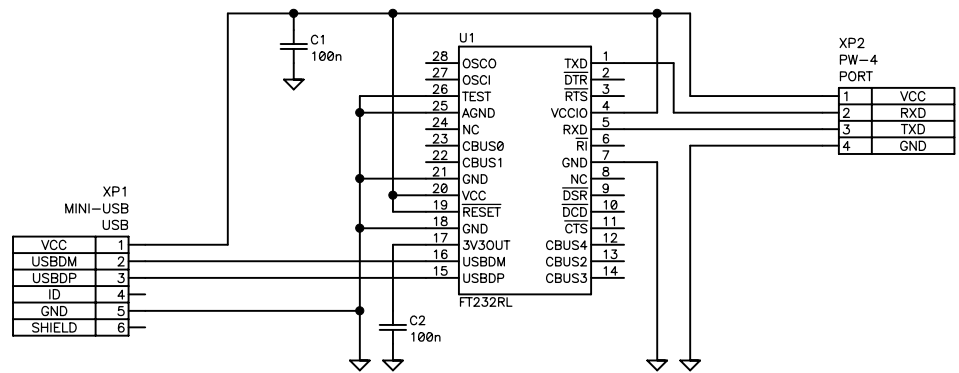
Company Name NSM lab		
Size A35	Title PSL-2401/2 (front panel board)	Rev A
Date Fri Nov 21, 2014	Drawn by NSM lab	
Filename PSL-2401_pan.sch	Sheet 2 of 2	



Company Name			NSM lab		
Size	Title	Rev			
A35	PSL-2402 (power supply board)	A			
Date	Sat Nov 01, 2014	Drawn by	NSM lab		
Filename	PSL-2402_pow.sch	Sheet	1 of 1		



Company Name		NSM lab	
Size	Title	Rev	
A35	PSL-2402 (out stage board)	A	
Date	Mon Sep 29, 2014	Drawn by	NSM lab
Filename	PSL-2402_out.sch	Sheet	1 of 1



Company Name		NSM lab	
Size	Title	Rev	
A35	PSL-2402 (USB board)	A	
Date	Fri Nov 21, 2014	Drawn by	NSM lab
Filename	PSL-2402_usb.sch	Sheet	1 of 2