



**NSM lab**

POWER SUPPLY **PSL-3604**

*Power flex*

36.00  
4.000

V

CV

A

CC

SET V

SET I

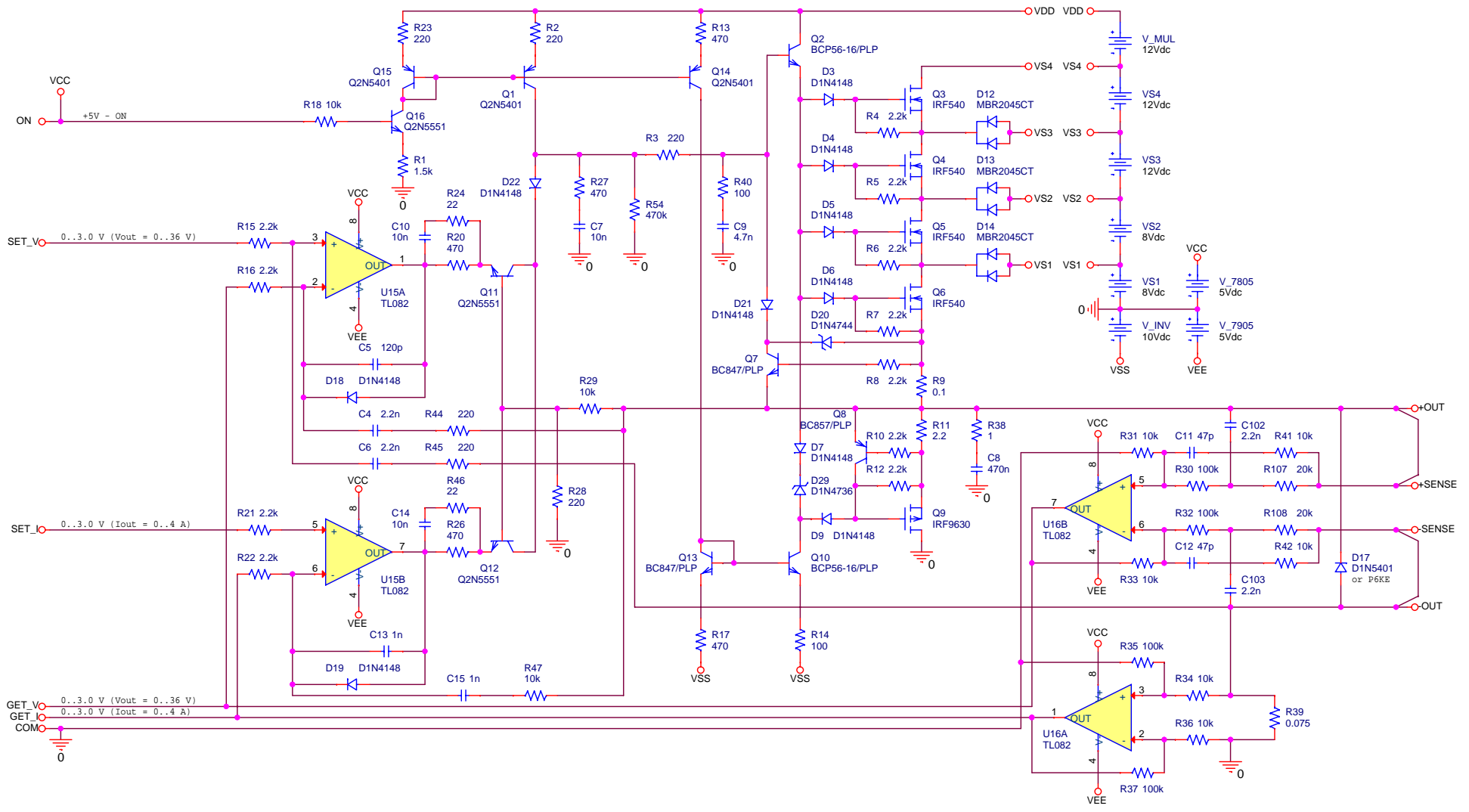
MENU

FINE

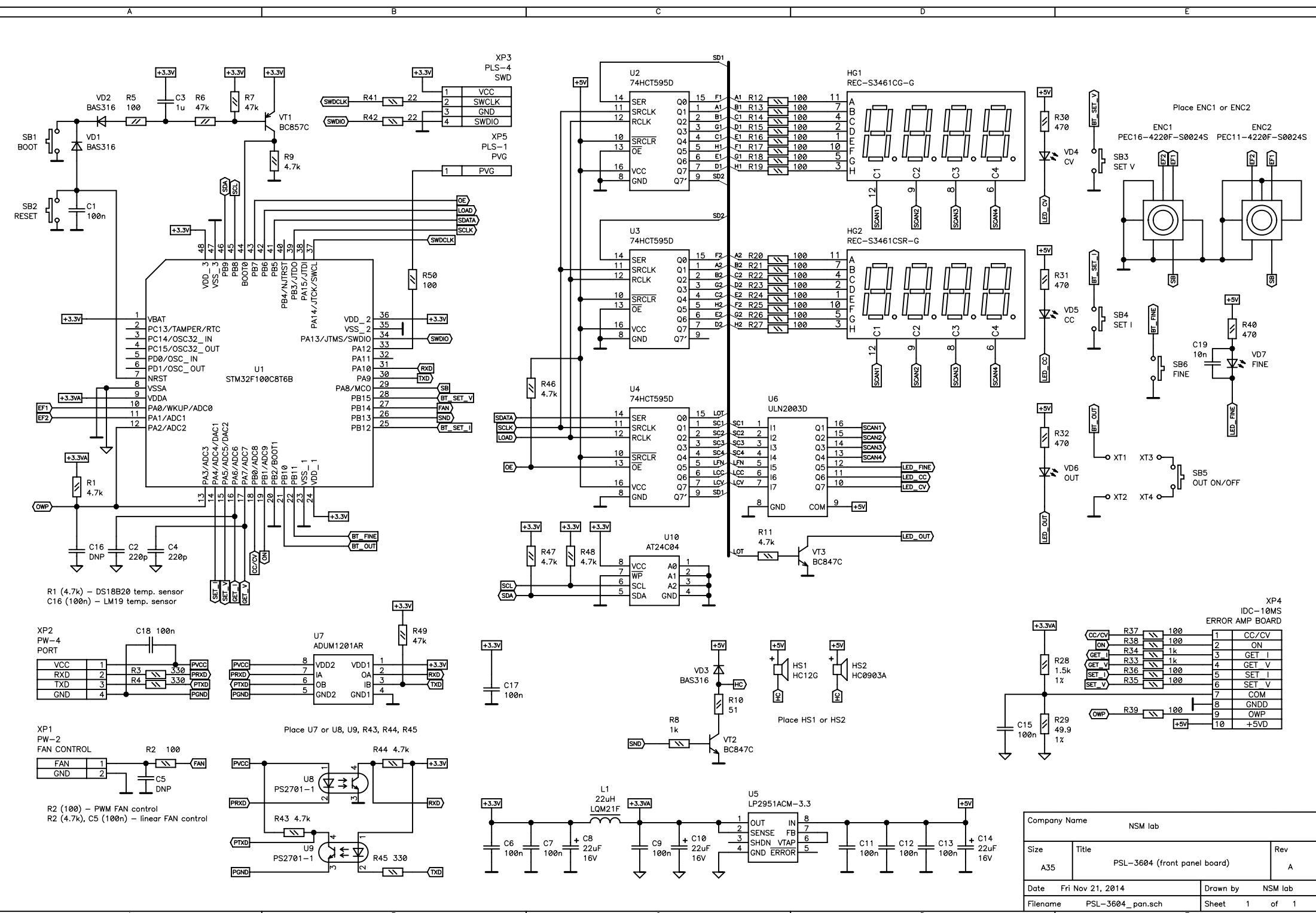
POWER

ON/OFF

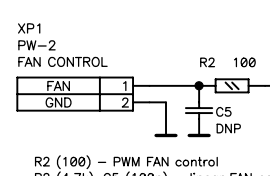
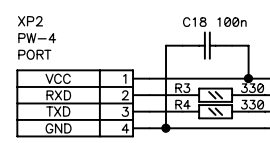
**USB**



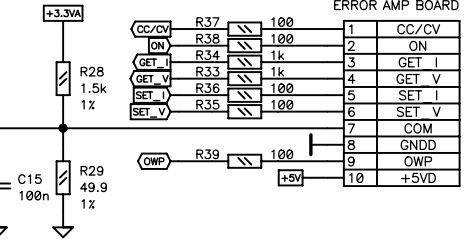
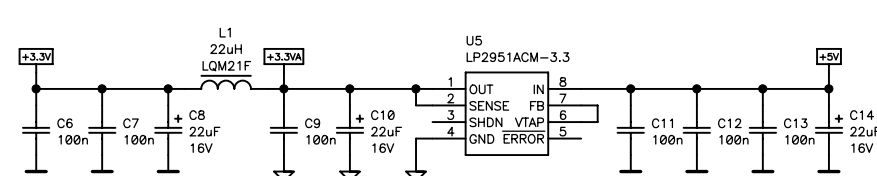
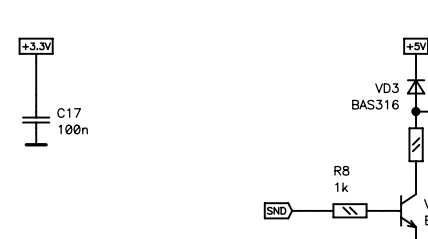
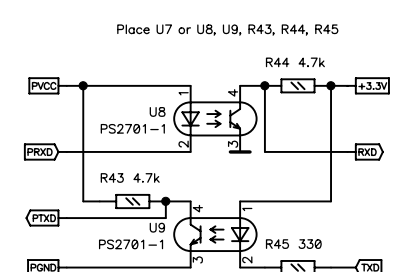
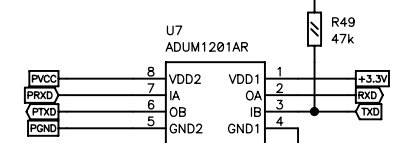
Title		
NSM lab		
Size	Document Number	Rev
B	PSL-3604 model	
Date:	Saturday, April 04, 2015	Sheet 1 of 1



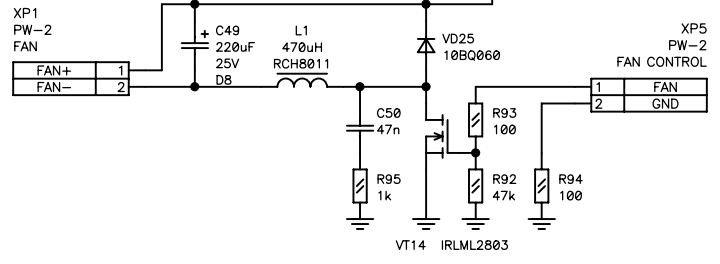
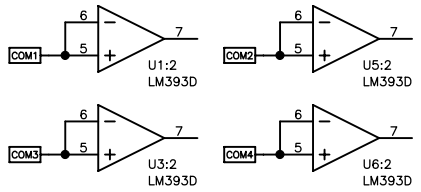
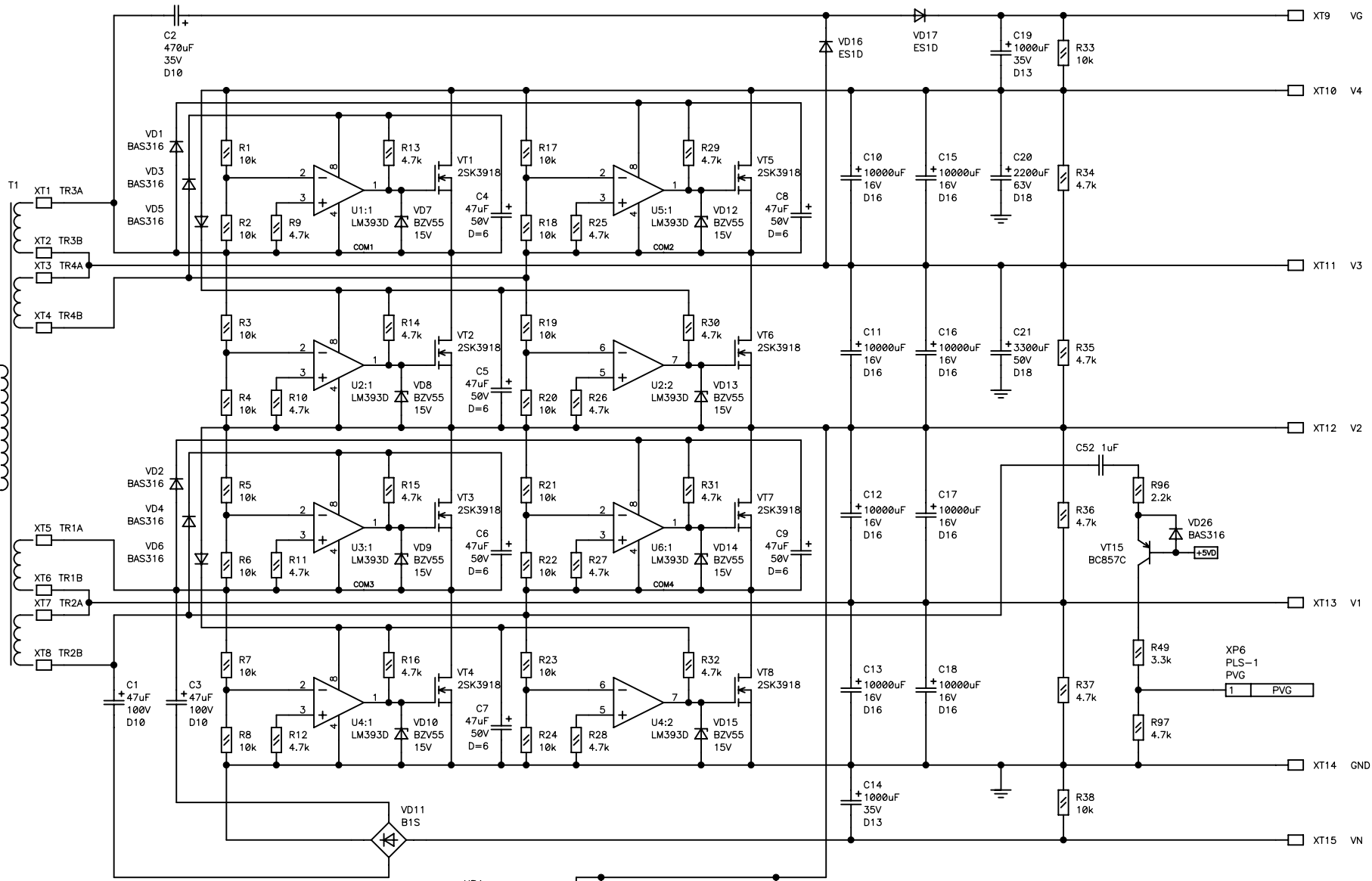
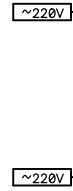
R1 (4.7k) - DS18B20 temp. sensor  
 C16 (100n) - LM19 temp. sensor



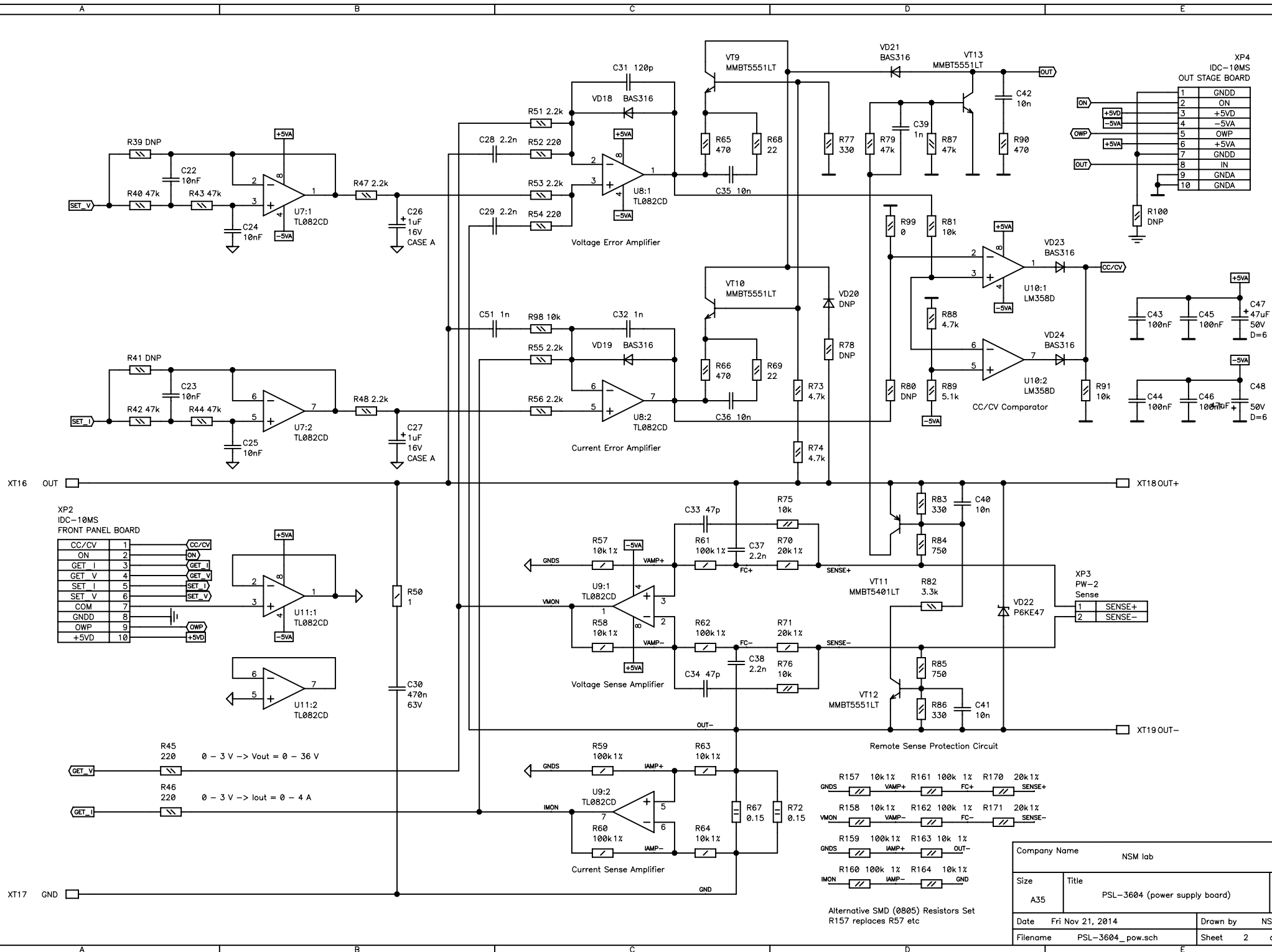
R2 (100) - PWM fan control  
 R2 (4.7k), C5 (100n) - linear fan control



Company Name		NSM lab	
Size	Title	Rev	
A35	PSL-3604 (front panel board)	A	
Date	Fri Nov 21, 2014	Drawn by	NSM lab
Filename	PSL-3604_pan.sch	Sheet	1 of 1



Company Name		NSM lab	
Size	Title	Rev	
A35	PSL-3604 (power supply board)	A	
Date	Fri Nov 21, 2014	Drawn by	NSM lab
Filename	PSL-3604_pow.sch	Sheet	1 of 2



XP4 IDC-10MS OUT STAGE BOARD

1	GNDD
2	ON
3	+5VD
4	-5VA
5	OWP
6	+5VA
7	GNDD
8	IN
9	GNDA
10	GNDA

XP2 IDC-10MS FRONT PANEL BOARD

CC/CV	1	CC/CV
ON	2	ON
GET I	3	GET I
GET V	4	GET V
SET I	5	SET I
SET V	6	SET V
COM	7	
GNDD	8	
OWP	9	OWP
+5VD	10	+5VD

XP3 PW-2 Sense

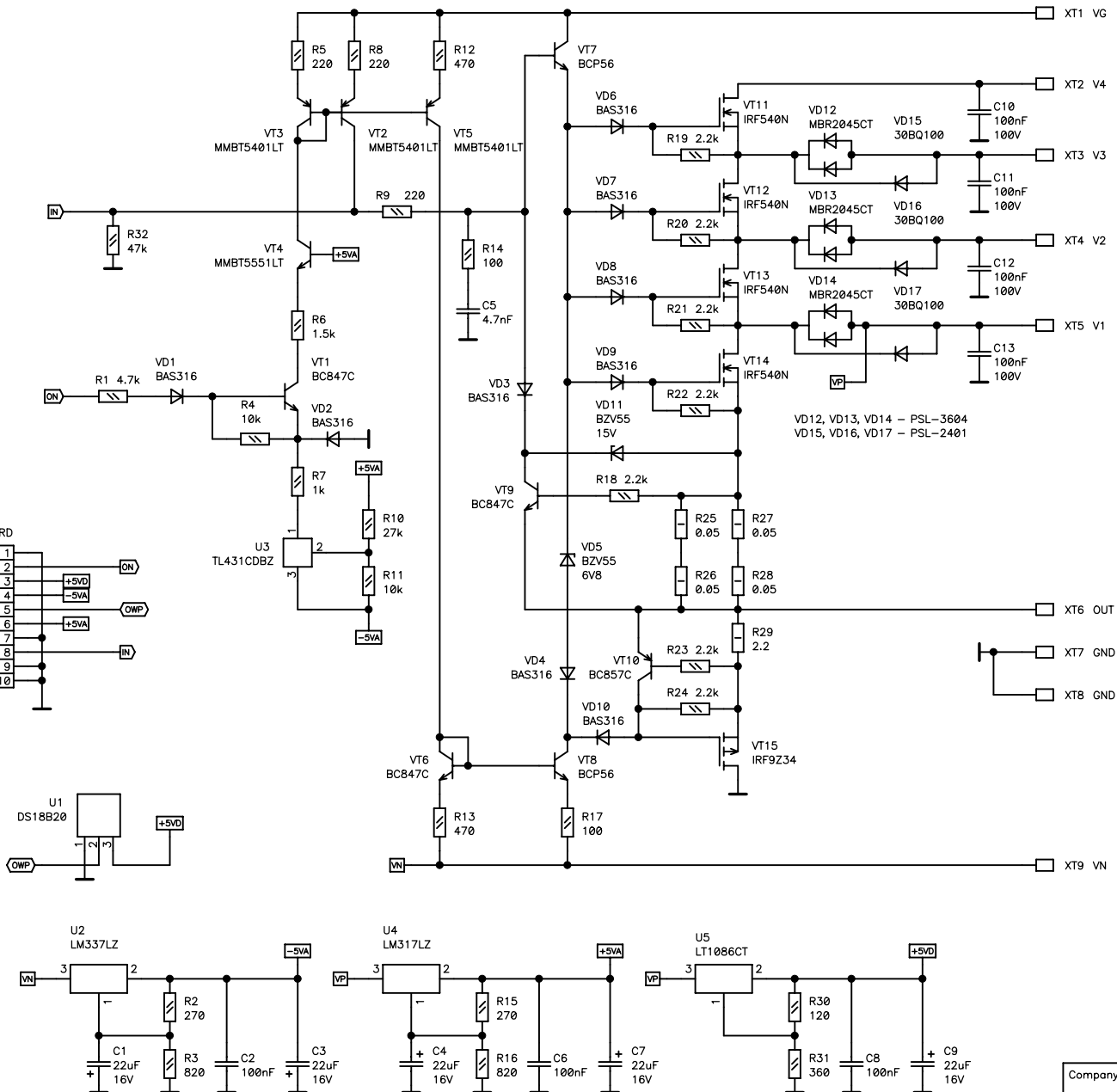
1	SENSE+
2	SENSE-

Company Name			NSM lab		
Size	Title	Rev			
A35	PSL-3604 (power supply board)	A			
Date	Fri Nov 21, 2014	Drawn by	NSM lab		
Filename	PSL-3604_pow.sch		Sheet	2 of 2	

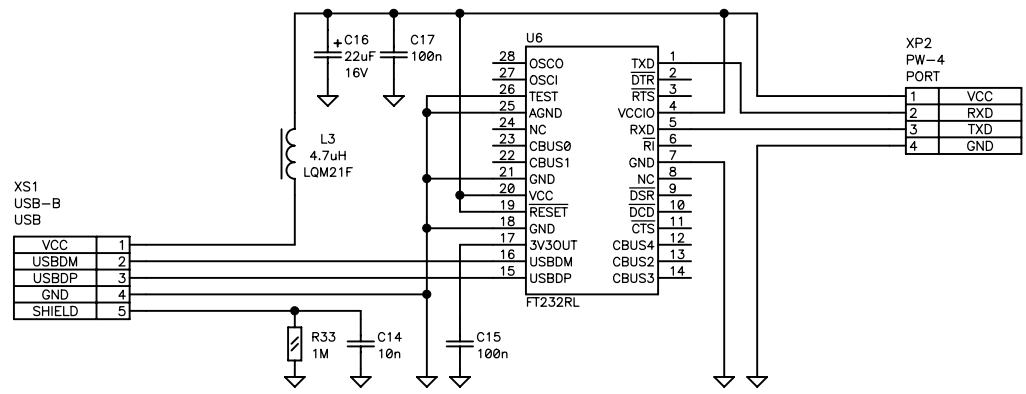
Alternative SMD (0805) Resistors Set  
R157 replaces R57 etc

XP1  
IDC-10MS  
OUT STAGE BOARD

GNDD	1	
ON	2	ON
+5VD	3	+5VD
-5VA	4	-5VA
OWP	5	OWP
+5VA	6	+5VA
GNDD	7	
IN	8	IN
GND A	9	
GND A	10	



Company Name		NSM lab	
Size	Title	Rev	
A35	PSL-3604 (out stage board)	A	
Date	Thu Nov 20, 2014	Drawn by	NSM lab
Filename	PSL-3604_out.sch	Sheet	1 of 2



Company Name			NSM lab		
Size	Title			Rev	
A35	PSL-3604 (out stage board)			A	
Date	Thu Nov 20, 2014	Drawn by	NSM lab		
Filename	PSL-3604_out.sch	Sheet	2	of	2